



150 Dodd Street SE
Marietta, GA. 30060

Phone: 770-973-6251
Fax: 678-401-3854

Email: info@mgs4u.com
Website: www.mgs4u.com

SMA female to UHF male Adapter



Technical Data Sheet

This SMA female to UHF male adapter is one of several thousand RF products available from Max-Gain Systems, Inc. This adapter is a between series coaxial adapter.

This adapter is made from a Solid Brass body that is precision machined and plated with Nickel for superior performance and value. This SMA female to UHF male adapter has a PTFE dielectric and a gold plated brass center pin. The SMA female side's jack and exterior threads provide a sub-miniature and tight-locking connection for use at higher frequencies. The UHF male side (also known as a PL-259 connection) is by far the most popular connection type used in Amateur Radio.

Material Specifications

SMA female to UHF male Adapter

Part Number 7837

Description	Material	Plating
Center Pin	Brass	Gold
Body	Brass	Nickel
Shell	Brass	Nickel
Insulator	PTFE	White

Mechanical Specifications

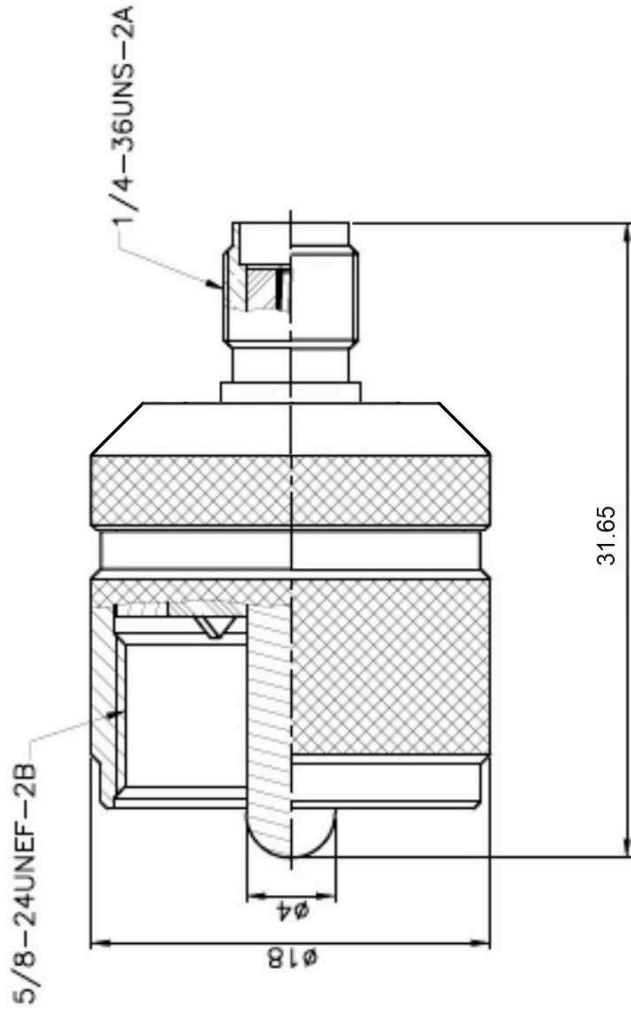
Size	Dimension
Length	1.25 in (31.65 mm)
Width	0.71 in (18 mm)
Height	0.71 in (18 mm)
Weight	0.7 oz (22 g)

Environmental Specifications

Temperature	Spec
Operating Range	-65 to +165 deg C

Compliance Certifications (see product page for current documentation)

Availability Click the following link (or enter part number in the “SEARCH” bar at the top of any page of the website) to obtain additional part information including price, inventory and certifications: <https://mgs4u.com/product/sma-female-to-uhf-male-adapter-7837/>



MGS MAX-GAIN SYSTEMS, INC.

Max-Gain Systems, Inc.
 150 Dodd Street SE, Marietta, GA, 30060
 Phone: (770) 973-6251 | Fax: (678) 401-3854
 Website: www.mgs4u.com | E-Mail: sales@mgs4u.com

TITLE: SMA female to UHF male Adapter

DRAWING NO: 7837

FILE NO :

		PART NO	DATE	
		APPROVED	DATE	
		CHECKED	DATE	
		DRAWN	DATE	
		UNLESS OTHERWISE SPECIFIED TOLERANCES		
		0.5-5 = ±0.2		
		5-30 = ±0.4		
		30-120 = ±0.6		
		120-315 = ±1		
		315-1000 = ±1.6		
		1000-2000 = ±2.4		
		UNIT: mm		
		SCALE: .		
NO.	DESCRIPTION	MATERIAL	FINISH	QTY
	SHELL	BRASS	NICKEL	1
	PIN	BRASS	GOLD	1
	INSULATOR	PTFE	WHITE	1
	BODY	BRASS	NICKEL	1