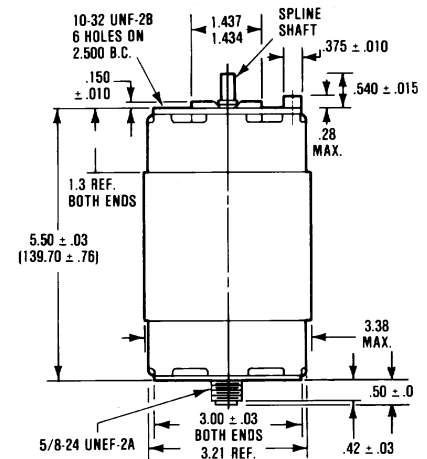


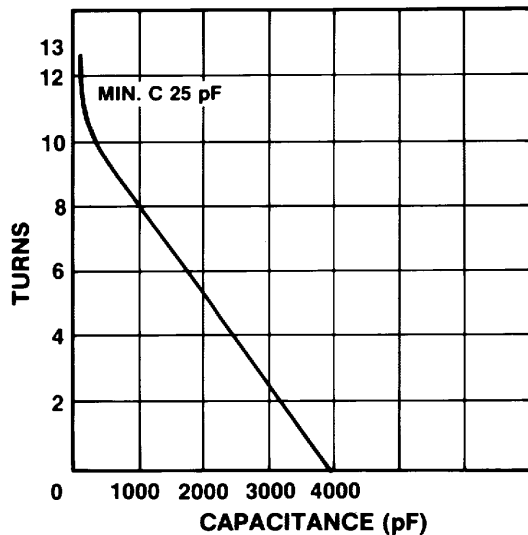


**CMV1 4000 SPECIFICATIONS**

Model Number	CMV1-4000-0005 <sup>1</sup>
Capacity Range (pF)	25-4000
Voltage (kV) Peak	
Test	5.0
Working	5.0
Current Amps (RMS) Max.	70
Type	Ceramic
Nominal Dimensions	
Length (in. / mm)	6.57 / 166.88
Diameter (in. / mm)	3.21 / 81.53
Torque (in Lbs.) Max.	1.9
Direct Pull (Lbs.) Max.	50
Weight (Nominal)	4 lb. 2 oz.
NOTES: <i>Mounting:</i> Fixed end threaded stud. Variable end tapped holes.	
<sup>1</sup> Has shorting switch.	



**CAPACITY vs TURNS**  
Typical Data



**CONTINUOUS RMS AMPERES vs FREQUENCY**  
(at 5kV PEAK WORKING VOLTAGE)

