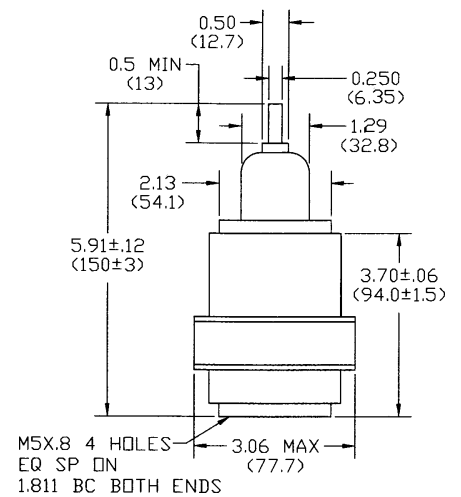


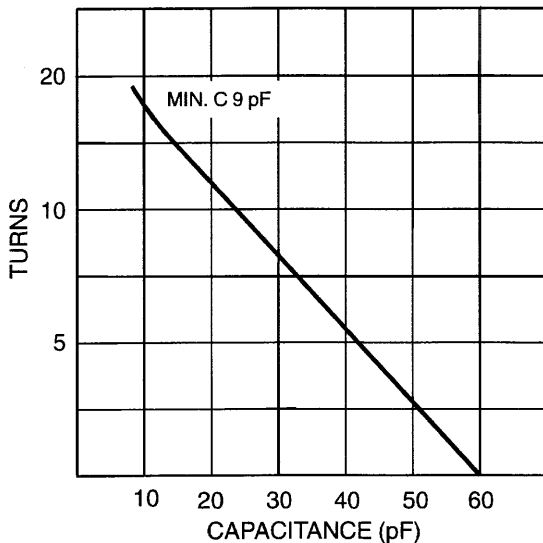


CVDD 60 SPECIFICATIONS

Model Number	CVDD-60-0010	CVDD-60-0015
Capacity Range (pF)	9-60	9-60
Voltage (kV) Peak		
Test	10	15
Working	6.0	9.0
Current Amps (RMS) Max.	50	55
Type	Ceramic	Ceramic
Nominal Dimensions		
Length (in. / mm)	5.91 / 150.00	5.91 / 150.00
Diameter (in. / mm)	3.06 / 78.00	3.06 / 78.00
Torque (in Lbs.) Max.	3.5	3.5
Direct Pull (Lbs.) Max.	45	45
Weight (Nominal)	2 lb.	2 lb.
<p>NOTES: <i>Mounting:</i> Both ends have tapped holes.</p>		



CAPACITY vs TURNS
Typical Data



CONTINUOUS RMS AMPERES vs FREQUENCY
(at 9kV PEAK WORKING VOLTAGE)

