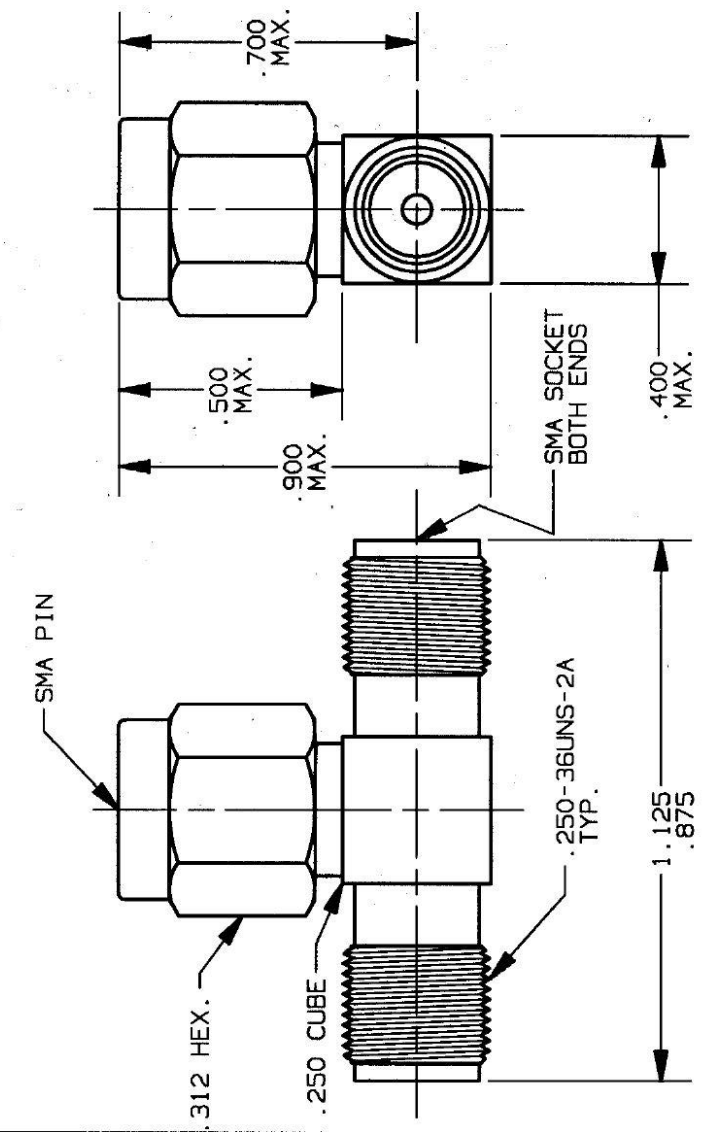


DWG. NO. M55339/30-30101

CONFIGURATION (TOLERANCE ±.005 UNLESS OTHERWISE SPECIFIED)



SMA SERIES ADAPTER TEE F-M-F

MATERIAL & FINISH:

BODIES & COUPLING NUT: STAINLESS STEEL PER AMS-5640, UNS S30300, TYPE I PASSIVATED PER QQ-P-35C, TYPE II.
 FEMALE CONTACT: BERYLLIUM COPPER PER ASTM-B196, COND. TD04, ALLOY UNS-C17300, GOLD PLATED PER MIL-G-45204, TYPE 1, GRADE C, CLASS 1; OVER NICKEL PER QQ-N-290, CLASS 1.
 MALE CONTACT: BRASS PER ASTM B16, ALLOY 360 UNS C36000, TEMPER H02. GOLD PLATED PER MIL-G-45204, TYPE 1, GRADE C, CLASS 1; OVER NICKEL PER QQ-N-290, CLASS 1.
 INSULATORS: TEFLON PER ASTM-1457.
 GASKET: SILICONE RUBBER PER ZZ-R-765, CLASS IIB, GRADE 50-60.
 LOCK RING: BERYLLIUM COPPER PER ASTM-B196, COND. TD04, ALLOY UNS-C17300.

SYM.	DESCRIPTION	DATE	APPR.	DRAWN:	APPROVED:
-	REL. NRN 22392	3/96	<i>Lu</i>	DMB	<i>Lu</i>
				DATE 3/7/96	DATE 3/13/96

ELECTRICAL:

NOMINAL IMPEDANCE (OHMS) 50
 FREQUENCY RANGE (GHZ) DC TO 12.4
 VOLTAGE RATING (MAX. VRMS) 335
 VSMR (MAX.) N/A
 INSERTION LOSS (x $\sqrt{FBZ} = DB$ MAX.) N/A
 RF LEAKAGE (MIN. DB DOWN) N/A
 RF HIGH POTENTIAL (MAX. VRMS) 670 AT 5 MHz
 DIELECTRIC WITHSTANDING VOLT. (MAX. VRMS) 1000
 INSULATION RESISTANCE (MIN. MEGOHMS) 5000
 CONTACT RESISTANCE:
 CENTER CONTACT (MAX. MILLIOHMS) 6.0
 OUTER CONTACT (MAX. MILLIOHMS) 2.0

MECHANICAL:

PER MIL-A-55339/30 SERIES, AND S/V MD-107
 INTERFACE DIMENSIONS 7 - 10 IN. LBS.
 RECOMMENDED MATING TORQUE
 CENTER CONTACT AXIAL FORCES: 48.0
 INSERTION (MAX. OUNCES) 1.0
 WITHDRAWAL (MIN. OUNCES) 500
 CONNECTOR DURABILITY (MIN. CYCLES) 500
 CONNECTOR ENGAGEMENT & DISENGAGEMENT (MAX. INCH LBS.) TORQUE 2.0
 CENTER CONTACT CAPTIVATION 6 LB. MIN. AXIAL FORCE
 4 IN. OZ. MIN. TORQUE
 COUPLING PROOF TORQUE 15 LBS. MIN.

ENVIRONMENTAL:

TEMP. RATING (DEGREES CENTIGRADE) -65° TO +165°C
 VIBRATION (MIL-STD-202, METHOD 204, CONDITION D, 20G'S)
 SHOCK (MIL-STD-202, METHOD 213, COND. I, 100G'S)
 TEMP. CYCLING (MIL-STD-202, METHOD 107, COND. C, -65c TO 200° C)
 MOISTURE RESISTANCE (MIL-STD-202, METHOD 106, LESS STEP 7B)
 BAROMETRIC PRESSURE (ALTITUDE) MIL-STD-202, METHOD 105,
 COND. C, 70,000 FT., 250 VRMS)
 HERMETICITY N/A

DWG. NO. M55339/30-30101
 SOLITRON/VECTOR
 3301 ELECTRONICS WAY
 WEST PALM BEACH, FL 33407