



150 Dodd Street SE  
Marietta, GA. 30060

**Phone:** 770-973-6251  
**Fax:** 678-401-3854

**Email:** [info@mgs4u.com](mailto:info@mgs4u.com)  
**Website:** [www.mgs4u.com](http://www.mgs4u.com)

SMA male to RP-SMA male Adapter



### Technical Data Sheet

This SMA male to RP-SMA male adapter is one of several thousand RF products available from Max-Gain Systems, Inc. This adapter is a between series coaxial adapter.

This adapter is made from a Solid Brass body that is precision machined and plated with Gold for superior performance and value. This SMA male to RP-SMA male adapter has a PTFE dielectric and a gold plated brass center pin. The SMA male side's plug and interior threads provide a sub-miniature and tight-locking connection for use at higher frequencies. The RP-SMA male side provides the same threads as an SMA male and pins that are normally found in SMA female connections. RP-SMA connections are popular in Wi-Fi, WiMAX, and other computer applications.

### Material Specifications

Type SMA male to RP-SMA male Adapter

Part Number 7850

Description	Material	Plating
Center Pin	Brass	Gold
Insulator	PTFE	White
Body	Brass	Gold

## Mechanical Specifications

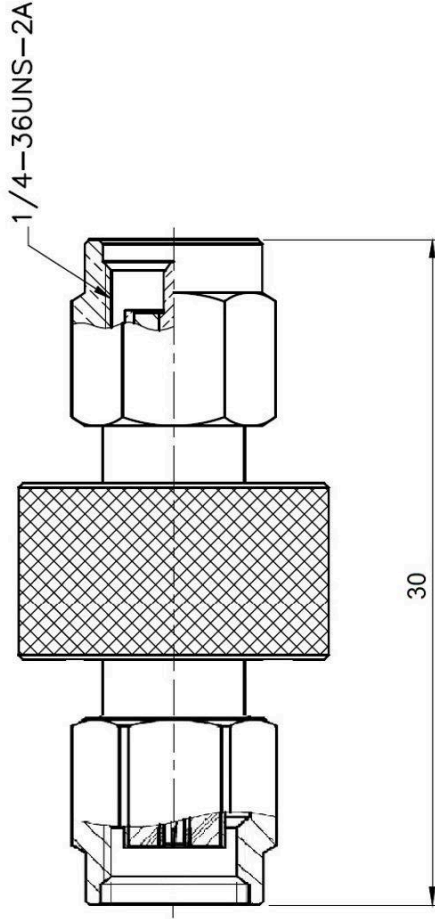
Size	Dimension
Length	1.17 in (30 mm)
Width	0.43 in (11 mm)
Height	0.43 in (11 mm)
Weight	0.28 oz (8 g)

## Environmental Specifications

Temperature	Spec
Operating Range	-65 to +165 deg C

## Compliance Certifications (see product page for current documentation)

**Availability** Click the following link (or enter part number in the “SEARCH” bar at the top of any page of the website) to obtain additional part information including price, inventory and certifications: <https://mgs4u.com/product/sma-male-to-rp-sma-male-adapter-7850/?v=7516fd43adaa>



Max-Gain Systems, Inc.  
 150 Dodd Street SE, Marietta, GA. 30060  
 Phone: (770) 973-6251 | Fax: (678) 401-3854  
 Website: www.mgs4u.com | E-Mail: sales@mgs4u.com

TITLE: SMA male to RP-SMA male Adapter

DRAWING NO: 7850

FILE NO : .

PART NO	DATE
APPROVED	DATE
CHECKED	DATE
DRAWN	DATE
UNLESS OTHERWISE SPECIFIED TOLERANCES 0.5-5 = ±0.2 5-30 = ±0.4 30-120 = ±0.6 120-315 = ±1 315-1000 = ±1.6 1000-2000 = ±2.4	
UNIT: mm	
SCALE: .	

NO.	DESCRIPTION	MATERIAL	FINISH	QTY
	PIN	BRASS	GOLD	
	INSULATOR	TEFLON	WHITE	
	BODY	BRASS	GOLD	