



150 Dodd Street SE
 Marietta, GA. 30060

Phone: 770-973-6251
Fax: 678-401-3854

Email: info@mgs4u.com
Website: www.mgs4u.com

SMA male to BNC male Adapter



Technical Data Sheet

This SMA male to BNC male adapter is one of several thousand RF products available from Max-Gain Systems, Inc. This adapter is a between series coaxial adapter.

This adapter is made from a Solid Brass body that is precision machined and plated with Nickel for superior performance and value. This SMA male to BNC male adapter has a PTFE dielectric and a gold plated brass center pin. The BNC male side accepts the BNC female tabs or “bayonets” for quick and reliable connections and disconnections. The SMA male side’s plug and interior threads provide a sub-miniature and tight-locking connection for use at higher frequencies.

Material Specifications

Type SMA male to BNC male Adapter

Part Number 7819

Description	Material	Plating
Center Pin	Brass	Gold
Insulator	PTFE	White
Body	Brass	Nickel
Washer	Steel	Nickel
Spring	SK5	Nickel
Insulator	Delrin	White
Gasket	Rubber	Red
Shell	Brass	Nickel

Mechanical Specifications

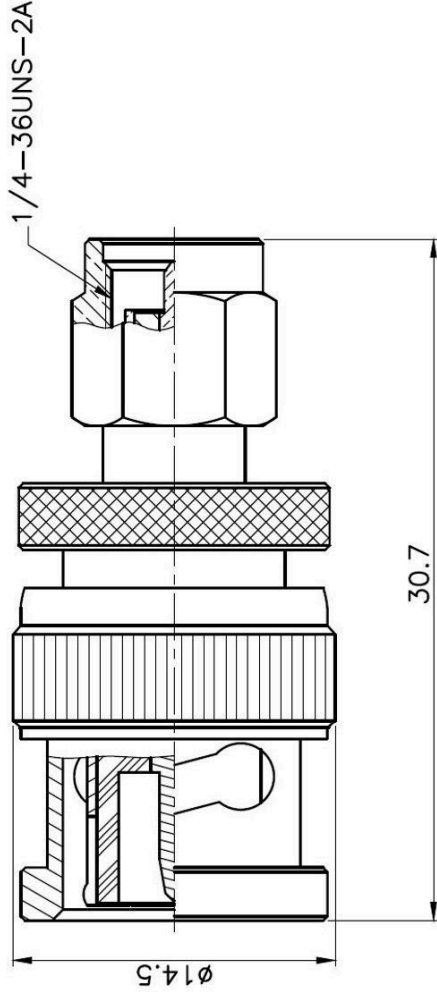
Size	Dimension
Length	1.21 in (30.72 mm)
Width	0.57 in (14.50 mm)
Height	0.57 in (14.50 mm)
Weight	0.5 oz (14 g)

Environmental Specifications

Temperature	Spec
Operating Range	-65 to +165 deg C

Compliance Certifications (see product page for current documentation)

Availability Click the following link (or enter part number in the “SEARCH” bar at the top of any page of the website) to obtain additional part information including price, inventory and certifications: <https://mgs4u.com/product/sma-male-to-bnc-male-adapter-7819/?v=7516fd43adaa>



MGS MAX-GAIN SYSTEMS, INC.

Max-Gain Systems, Inc.
 150 Dodd Street SE, Marietta, GA, 30060
 Phone: (770) 973-6251 | Fax: (678) 401-3854
 Website: www.mgs4u.com | E-Mail: sales@mgs4u.com

TITLE: SMA male to BNC male

DRAWING NO: 7819

FILE NO :

INSULATOR	TEFLON	WHITE NICKEL	PART NO	DATE
SHELL	BRASS	NICKEL	APPROVED	DATE
WASHER	STEEL	NICKEL	CHECKED	DATE
SPRING	SK5	NICKEL	DRAWN	DATE
GASKET	RUBBER	RED		
PIN	BRASS	GOLD		
INSULATOR	DELTRIN	WHITE		
BODY	BRASS	NICKEL		
NO. DESCRIPTION	MATERIAL	FINISH		

UNLESS OTHERWISE SPECIFIED TOLERANCES
 0.5-5 = ±0.2
 5-30 = ±0.4
 30-120 = ±0.6
 120-315 = ±1
 315-1000 = ±1.6
 1000-2000 = ±2.4

UNIT: mm

SCALE: -