



150 Dodd Street SE  
Marietta, GA. 30060

**Phone:** 770-973-6251  
**Fax:** 678-401-3854

**Email:** [info@mgs4u.com](mailto:info@mgs4u.com)  
**Website:** [www.mgs4u.com](http://www.mgs4u.com)

UHF female to SMA female 36 inch Jumper



### Technical Data Sheet

This UHF female to SMA female 36 inch jumper is one of several thousand RF products available from Max-Gain Systems, Inc. This jumper is a between series coaxial jumper.

This jumper is made from a Solid Brass body that is precision machined and plated with Nickel (UHF side) & Gold (SMA side) for superior performance and value. This UHF female to SMA male 36 inch jumper has a Delrin (UHF side) & PTFE (SMA side) dielectric and a nickel (UHF side) & gold (SMA side) plated brass center pin. The UHF female side (also known as a SO-239 connection) is by far the most popular connection type used in Amateur Radio. The SMA female side's jack and exterior threads provide a sub-miniature and tight-locking connection for use at higher frequencies. This UHF female to SMA female jumper uses 36 inches of RG-174 coaxial cable.

### Material Specifications

UHF female to SMA female 36 inch Jumper

Part Number 7839-CBL-36

#### Cable End Connectors

Description	Material	Plating
Center Pin	Brass	Nickel / Gold
Insulator	Delrin / PTFE	-
Body	Brass	Nickel / Gold

## Coax

Description	Material and Plating
Inner Conductor	Copper
Conductor Type	Stranded
Insulator	PE
First Shield	Foil, 100%
Second Shield	Tinned Copper Braid, 98%+
Jacket	PVC (NC), BLACK

## Mechanical Specifications

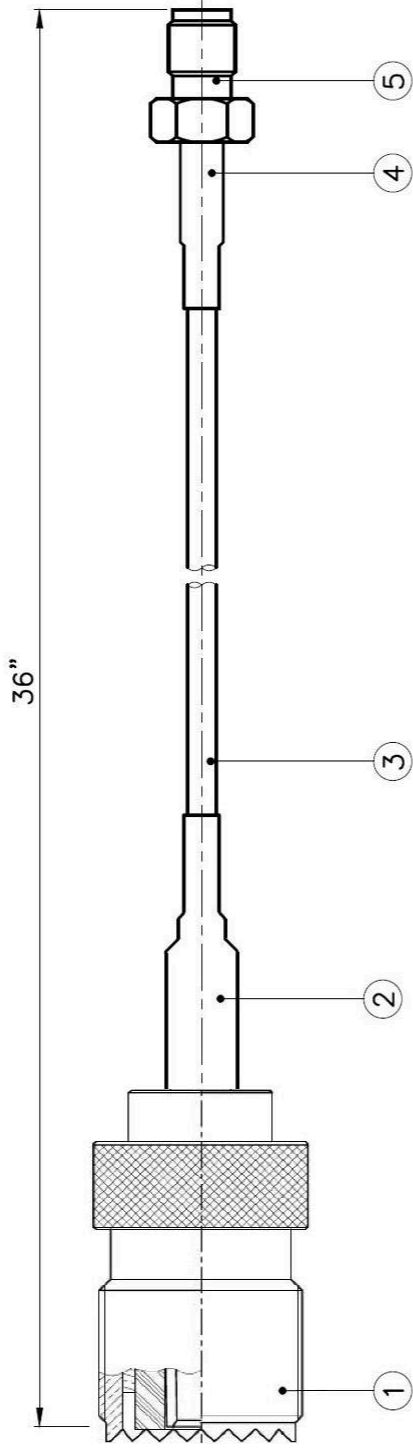
Size	Dimension
Length	36 in (91.44 cm)
Width	0.71 in (18 mm)
Height	0.71 in (18 mm)
Weight	1 oz (28 g)

## Environmental Specifications

Temperature	Spec
Operating Range	-40 to +80 deg C

## Compliance Certifications (see product page for current documentation)

**Availability** Click the following link (or enter part number in the "SEARCH" bar at the top of any page of the website) to obtain additional part information including price, inventory and certifications: <https://mgs4u.com/product/uhf-female-to-sma-female-36-inch-jumper-7839-cbl-36/?v=7516fd43adaa>



Max-Gain Systems, Inc.  
 150 Dodd Street SE, Marietta, GA. 30060  
 Phone: (770) 973-6251 | Fax: (678) 401-3854  
 Website: www.mgs4u.com | E-Mail: sales@mgs4u.com

TITLE: UHF female to SMA female  
 36 inch Jumper

DRAWING NO: 7839-CBL-36  
 FILE NO :

PART NO	DATE
APPROVED	DATE
CHECKED	DATE
DRAWN	DATE

UNLESS OTHERWISE SPECIFIED TOLERANCES	UNIT: mm
0.5-5 = ±0.2	SCALE: -
5-30 = ±0.4	
30-120 = ±0.6	
120-315 = ±1	
315-1000 = ±1.6	
1000-2000 = ±2.4	

NO.	DESCRIPTION
5	SMA FEMALE/ GOLD
4	HEAT SHRINK TUBING
3	RG174/U
2	HEAT SHRINK TUBING
1	UHF FEMALE/ NICKEL