



150 Dodd Street SE  
 Marietta, GA. 30060

**Phone:** 770-973-6251  
**Fax:** 678-401-3854

**Email:** [info@mgs4u.com](mailto:info@mgs4u.com)  
**Website:** [www.mgs4u.com](http://www.mgs4u.com)

SMA male to UHF female 36 inch Jumper



### Technical Data Sheet

This SMA male to UHF female 36 inch jumper is one of several thousand RF products available from Max-Gain Systems, Inc. This jumper is a between series coaxial jumper.

This jumper is made from a Solid Brass body that is precision machined and plated with Gold (SMA side) & Nickel (UHF side) for superior performance and value. This SMA male to UHF female 36 inch jumper has a PTFE (SMA side) & Delrin (UHF side) dielectric and a gold (SMA side) & nickel (UHF side) plated brass center pin. The SMA male side's plug and interior threads provide a sub-miniature and tight-locking connection for use at higher frequencies. The UHF female side (also known as a SO-239 connection) is by far the most popular connection type used in Amateur Radio. This SMA male to UHF female jumper uses 36 inches of RG-174 coaxial cable.

### Material Specifications

**SMA male to UHF female 36 inch Jumper**

**Part Number 7828-CBL-36**

#### Cable End Connectors

Description	Material	Plating
Center Pin	Brass	Nickel / Gold
Insulator	Delrin / PTFE	-
Body	Brass	Nickel / Gold

## Coax

Description	Material and Plating
Inner Conductor	<b>Copper</b>
Conductor Type	<b>Stranded</b>
Insulator	<b>PE</b>
First Shield	<b>Foil, 100%</b>
Second Shield	<b>Tinned Copper Braid, 98%+</b>
Jacket	<b>PVC (NC), BLACK</b>

## Mechanical Specifications

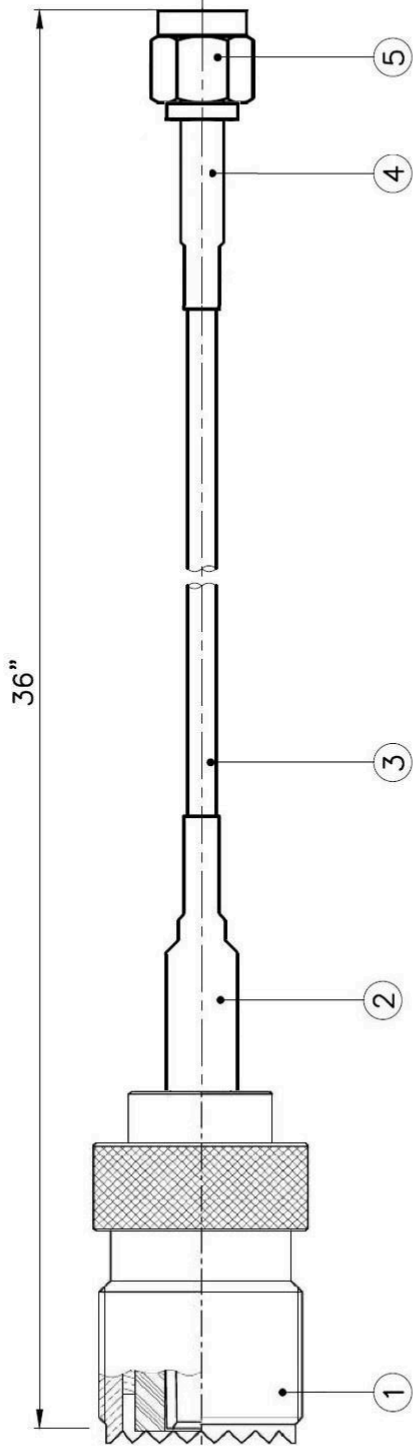
Size	Dimension
Length	<b>36 in (91.44 cm)</b>
Width	<b>0.71 in (18 mm)</b>
Height	<b>0.71 in (18 mm)</b>
Weight	<b>1.5 oz (42 g)</b>

## Environmental Specifications

Temperature	Spec
Operating Range	<b>-40 to +80 deg C</b>

## Compliance Certifications (see product page for current documentation)

**Availability** Click the following link (or enter part number in the "SEARCH" bar at the top of any page of the website) to obtain additional part information including price, inventory and certifications: <https://mgs4u.com/product/sma-male-to-uhf-female-36-inch-jumper-7828-cbl-36/?v=7516fd43adaa>



Max-Gain Systems, Inc.  
 150 Dodd Street SE, Marietta, GA. 30060  
 Phone: (770) 973-6251 | Fax: (678) 401-3854  
 Website: www.mgs4u.com | E-Mail: sales@mgs4u.com

**TITLE: SMA male to UHF female  
 36 inch Jumper**

**DRAWING NO: 7828-CBL-36  
 FILE NO :**

PART NO	DATE	UNLESS OTHERWISE SPECIFIED TOLERANCES
APPROVED	DATE	0.5-5 = ±0.2
CHECKED	DATE	5-30 = ±0.4
DRAWN	DATE	30-120 = ±0.6
		120-315 = ±1
		315-1000 = ±1.6
		1000-2000 = ±2.4
		UNIT: mm
		SCALE: .
5		SMA MALE/ GOLD
4		HEAT SHRINK TUBING
3		RG174/U
2		HEAT SHRINK TUBING
1		UHF FEMALE/ NICKEL
NO.		DESCRIPTION