



150 Dodd Street SE  
Marietta, GA. 30060

Phone: 770-973-6251  
Fax: 678-401-3854

Email: [info@mgs4u.com](mailto:info@mgs4u.com)  
Website: [www.mgs4u.com](http://www.mgs4u.com)

BNC female to SMA male 36 inch Jumper



### Technical Data Sheet

This BNC female to SMA male 36 inch jumper is one of several thousand RF products available from Max-Gain Systems, Inc. This jumper is a between series coaxial jumper.

This jumper is made from a Solid Brass body that is precision machined and plated with Nickel (BNC side) & Gold (SMA side) for superior performance and value. This BNC female to SMA male 36 inch jumper has a Delrin (BNC side) & PTFE (SMA side) dielectric and a gold plated brass center pin. The BNC female provides tabs or “bayonets” for quick and reliable connections and disconnections. The SMA male side’s plug and interior threads provide a sub-miniature and tight-locking connection for use at higher frequencies. This BNC female to SMA male jumper uses 36 inches of RG-174 coaxial cable.

### Material Specifications

**BNC female to SMA male 36 inch Jumper**

**Part Number 7820-CBL-36**

#### Cable End Connectors

Description	Material	Plating
Center Pin	Brass	Gold
Insulator	Delrin / PTFE	-
Body	Brass	Nickel / Gold

## Coax

Description	Material and Plating
Inner Conductor	Copper
Conductor Type	Stranded
Insulator	PE
First Shield	Foil, 100%
Second Shield	Tinned Copper Braid, 98%+
Jacket	PVC (NC), BLACK

## Mechanical Specifications

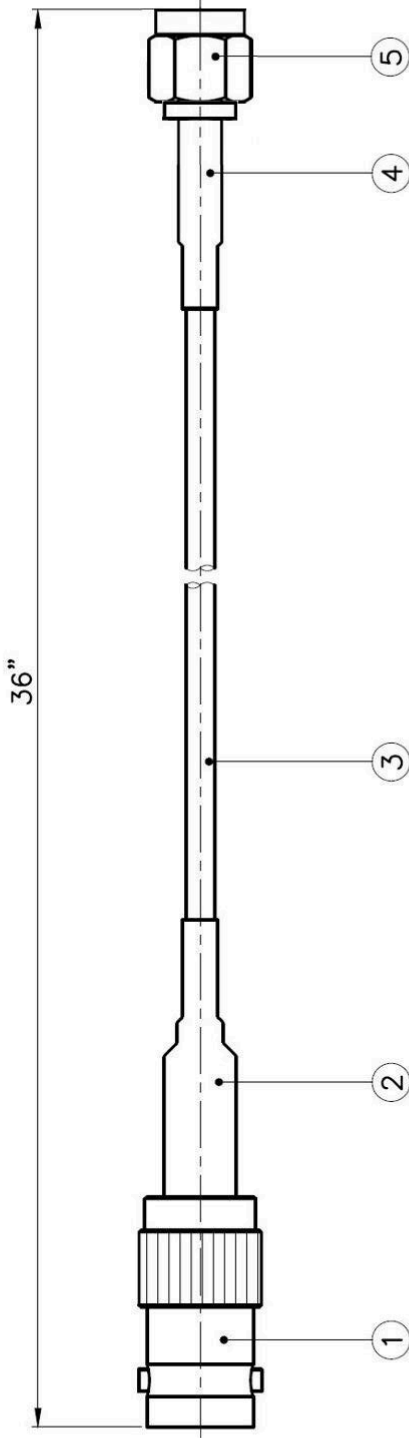
Size	Dimension
Length	36 in (91.44 cm)
Width	0.432 in (11 mm)
Height	0.432 in (11 mm)
Weight	0.8 oz (24 g)

## Environmental Specifications

Temperature	Spec
Operating Range	-40 to +80 deg C

## Compliance Certifications (see product page for current documentation)

**Availability** Click the following link (or enter part number in the "SEARCH" bar at the top of any page of the website) to obtain additional part information including price, inventory and certifications: <https://mgs4u.com/product/bnc-female-to-sma-male-36-inch-jumper-7820-cbl-36/?v=7516fd43adaa>



Max-Gain Systems, Inc.  
 150 Dodd Street SE, Marietta, GA, 30060  
 Phone: (770) 973-6251 | Fax: (678) 401-3854  
 Website: www.mgs4u.com | E-Mail: sales@mgs4u.com

TITLE: BNC female to SMA male  
 36 inch Jumper

DRAWING NO: 7820-CBL-36  
 FILE NO :

PART NO	DATE	UNLESS OTHERWISE SPECIFIED TOLERANCES
APPROVED	DATE	0.5-5 = ±0.2
CHECKED	DATE	5-30 = ±0.4
DRAWN	DATE	30-120 = ±0.6
		120-315 = ±1
		315-1000 = ±1.6
		1000-2000 = ±2.4
		UNIT: mm
		SCALE: -
5		SMA FEMALE/ GOLD
4		HEAT SHRINK TUBING
3		RG174/U
2		HEAT SHRINK TUBING
1		BNC FEMALE/ NICKEL
NO.		DESCRIPTION