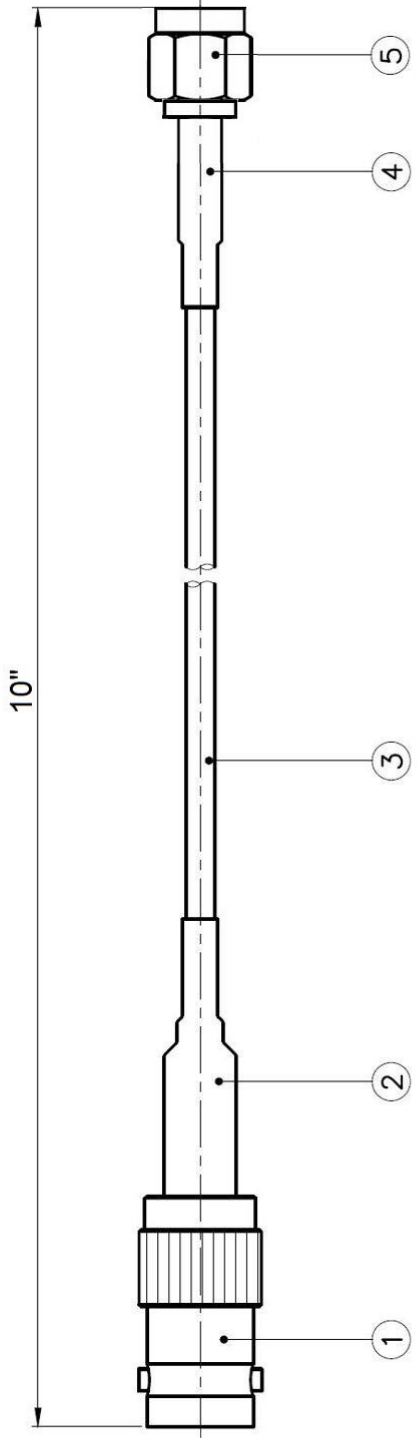


MGS MAX-GAIN SYSTEMS, INC.

Max-Gain Systems, Inc.
 150 Dodd Street SE, Marietta, GA, 30060
 Phone: (770) 973-6251 | Fax: (678) 401-3854
 Website: www.mgs4u.com | E-Mail: sales@mgs4u.com

**TITLE: BNC female to SMA male
 10 inch Jumper**

DRAWING NO: 7820-CBL-10
 FILE NO :



PART NO	DATE	UNLESS OTHERWISE SPECIFIED TOLERANCES
APPROVED	DATE	0.5-5 = ±0.2
CHECKED	DATE	5-30 = ±0.4
DRAWN	DATE	30-120 = ±0.6
		120-315 = ±1
		315-1000 = ±1.6
		1000-2000 = ±2.4
		UNIT: mm
		SCALE: -
5		SMA FEMALE/ GOLD
4		HEAT SHRINK TUBING
3		RG174/U
2		HEAT SHRINK TUBING
1		BNC FEMALE/ NICKEL
NO.		DESCRIPTION