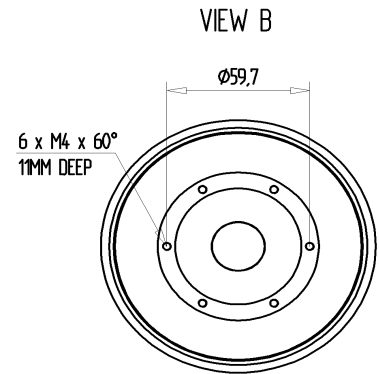
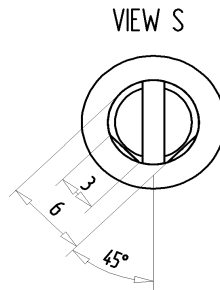
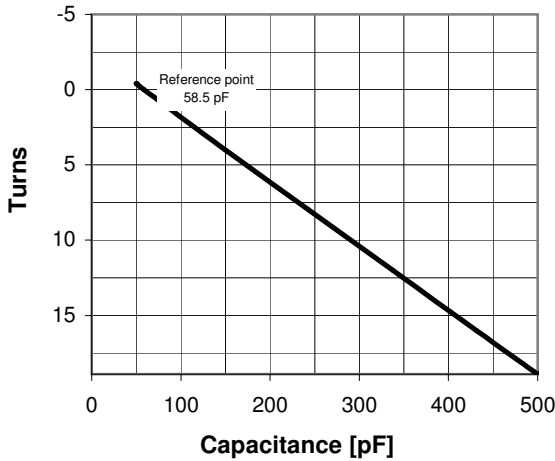
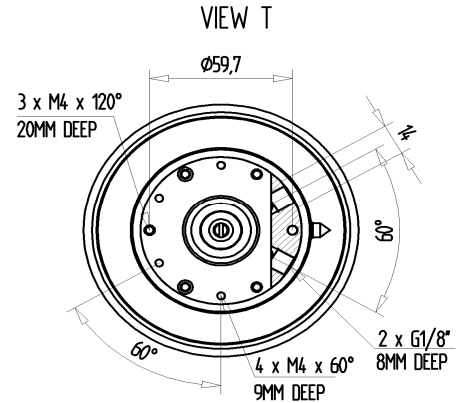


CVMX-500AW/25-BEAC-J1

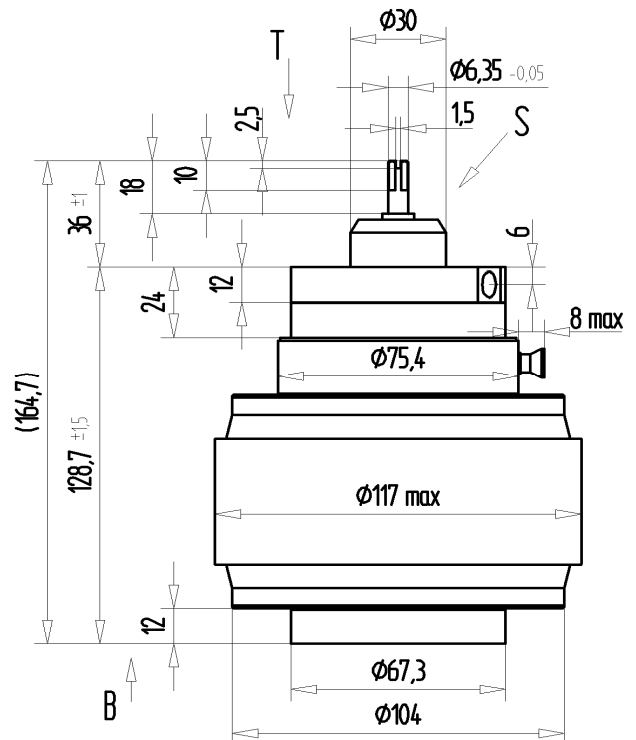
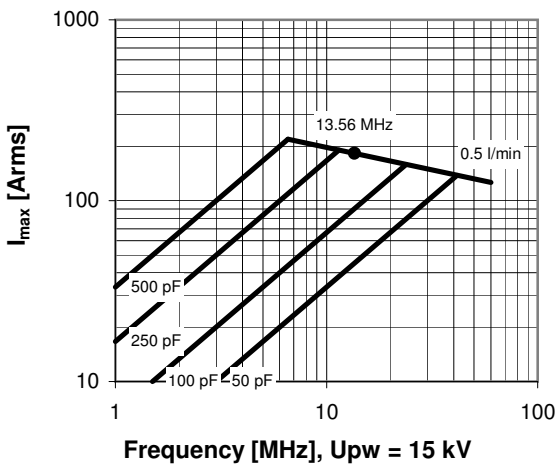
Old Type Designation: CV1W-500KD

Specifications

Capacity C_{max} (nominal)	500 pF
Capacity C_{min} (nominal)	50 pF
Voltage (Peak Test U_{pt} / Peak Working U_{pw})	25 kV / 15 kV
Capacity Tolerance (linear Range)	10%
Max. Current I_{max} at 13.56 MHz with	182 Arms
Water Cooling	0.5 l/min
Self Inductance	≤ 7 nH
Capacitance per turn	23.4 pF/turn
Torque	≤ 0.6 Nm
Net Weight	2.7 kg



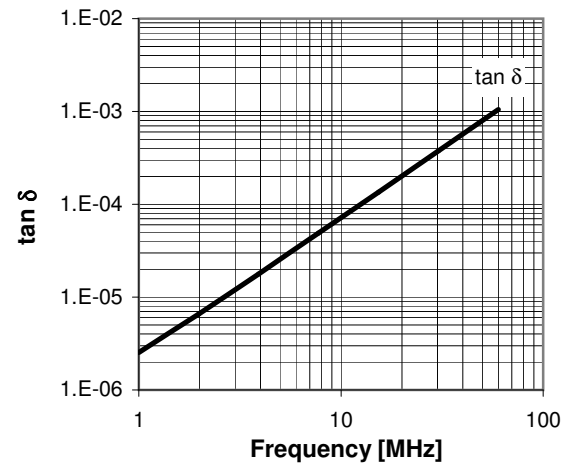
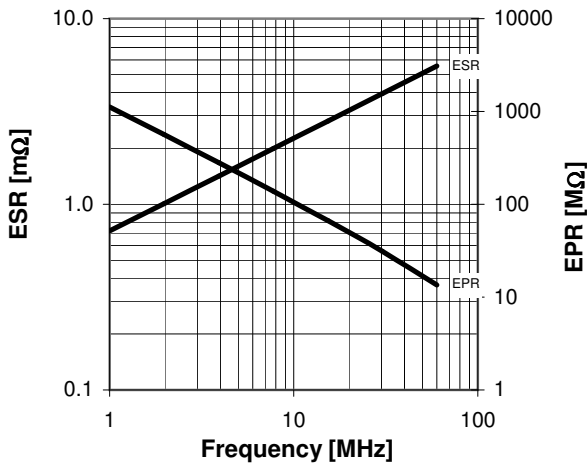
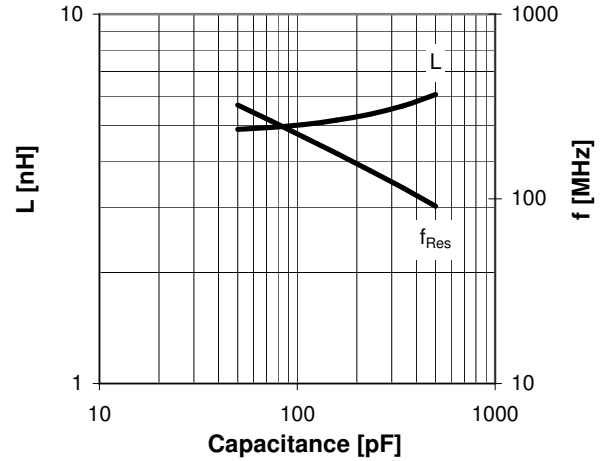
I_{max} for 0.5 l/min water cooling; max. water temp. at inlet: 70 °C



Turns	Nominal Capacitance [pF]	Tolerance
-0.4	50.0	10%
-0.2	54.3	10%
0.0	58.5	0%
4.0	149.5	10%
8.0	243.5	10%
12.0	337.5	10%
16.0	431.6	10%
18.9	500.0	10%

Mechanical stop at < 50 pF at ~ -2.9 turns
Mechanical stop at > 500 pF at ~ 19.1 turns

Self inductance and resonance frequency



Special Features:

Special Bellows