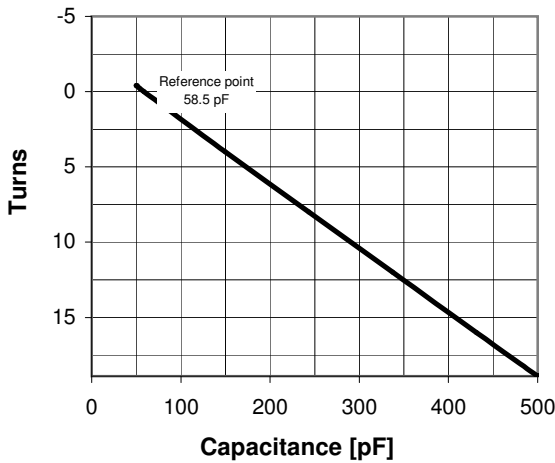
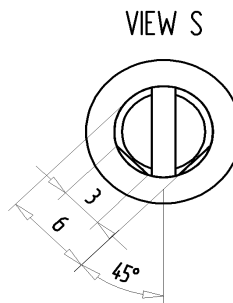
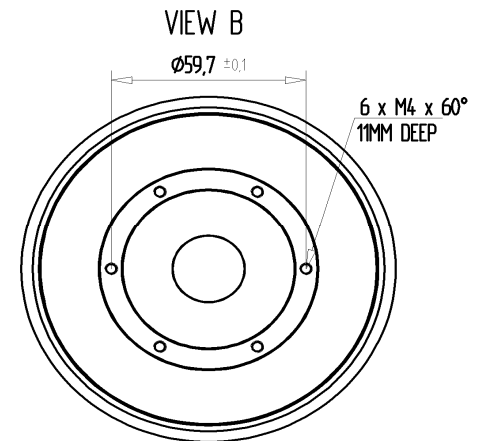
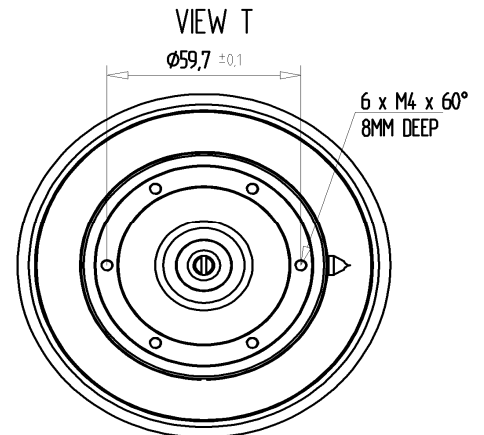


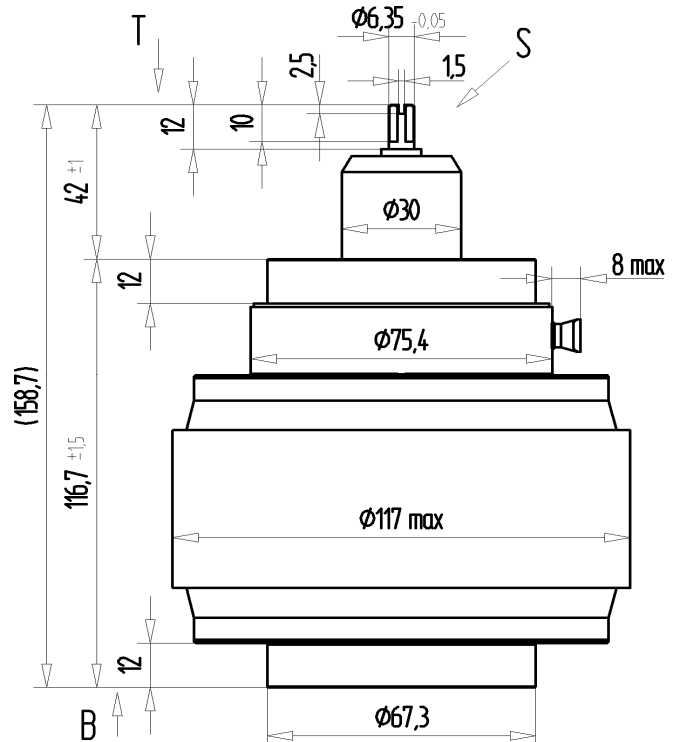
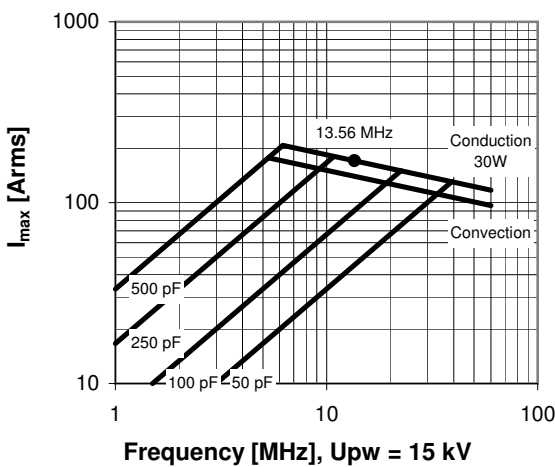
## CVMX-500AC/25-BEAC-J

### Specifications

Capacity $C_{max}$ (nominal)	500 pF
Capacity $C_{min}$ (nominal)	50 pF
Voltage (Peak Test $U_{pt}$ / Peak Working $U_{pw}$ )	25 kV / 15 kV
Capacity Tolerance (linear Range)	10%
Max. Current $I_{max}$ at 13.56 MHz with	170 Arms
Conduction Cooling	30 W
Self Inductance	$\leq 7$ nH
Capacitance per turn	23.4 pF/turn
Torque	$\leq 0.6$ Nm
Net Weight	2.5 kg



$I_{max}$  at 25°C ambient and 125°C surface temp. for convection and conduction (30 W) cooling

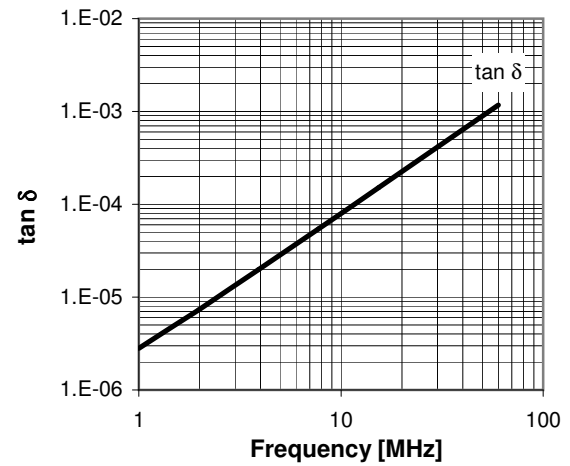
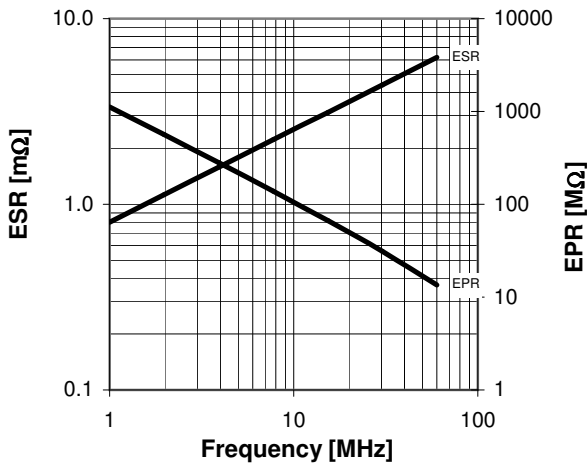
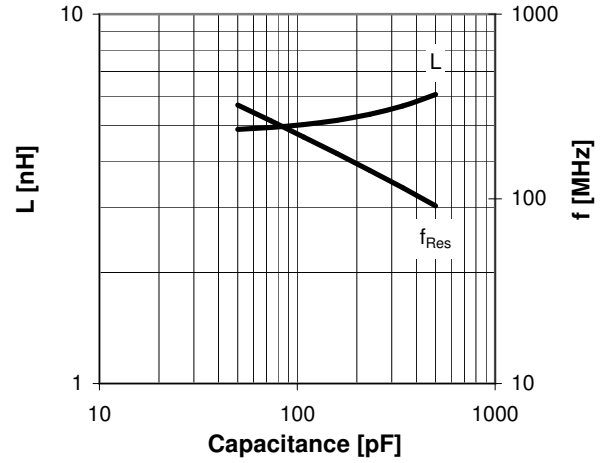


## CVMX-500AC/25-BEAC-J

Turns	Nominal Capacitance [pF]	Tolerance
-0.4	50.0	10%
-0.2	54.3	10%
0.0	58.5	0%
4.0	149.5	10%
8.0	243.5	10%
12.0	337.5	10%
16.0	431.6	10%
18.9	500.0	10%

Mechanical stop at < 50 pF at ~ -2.9 turns  
Mechanical stop at > 500 pF at ~ 19.1 turns

Self inductance and resonance frequency



**Special Features:**

Special Bellows