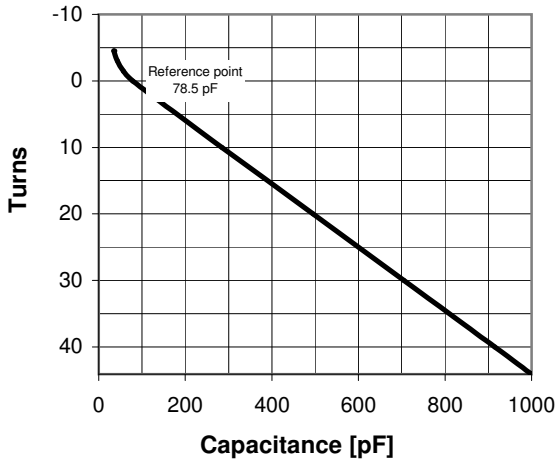


CVMA-1000AC/40-AAB

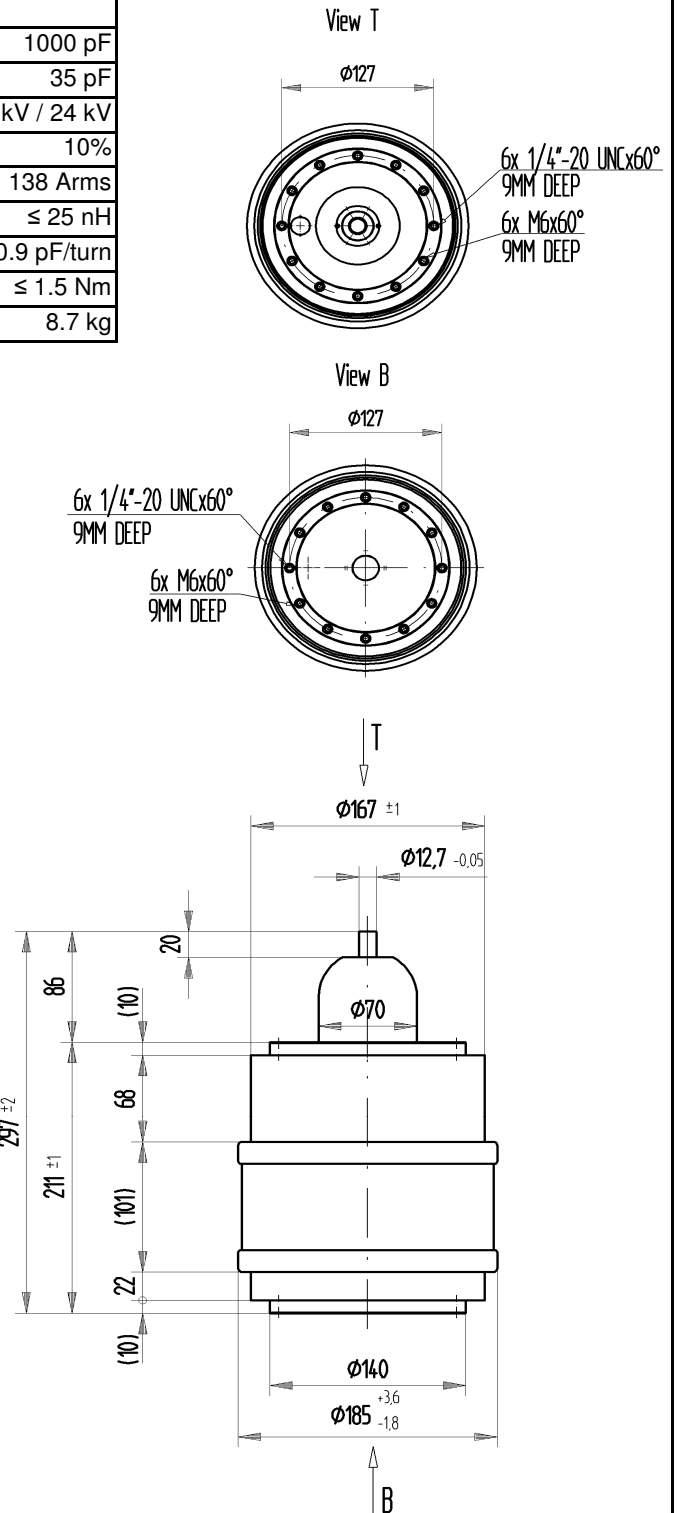
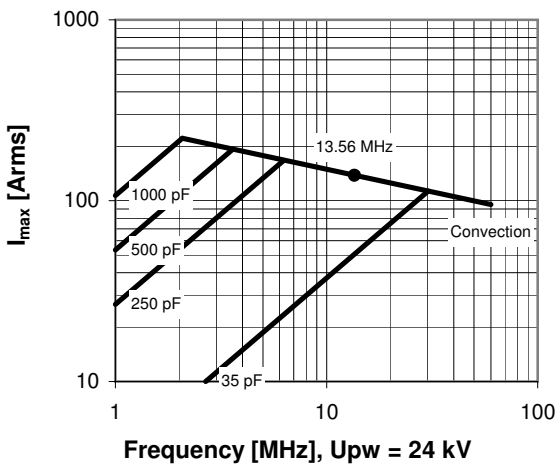
Old Type Designation: CV2C-1000E

Specifications

| | |
|---|---------------|
| Capacity C_{max} (nominal) | 1000 pF |
| Capacity C_{min} (nominal) | 35 pF |
| Voltage (Peak Test U_{pt} / Peak Working U_{pw}) | 40 kV / 24 kV |
| Capacity Tolerance (linear Range) | 10% |
| Max. Current I_{max} at 13.56 MHz | 138 Arms |
| Self Inductance | ≤ 25 nH |
| Capacitance per turn | 20.9 pF/turn |
| Torque | ≤ 1.5 Nm |
| Net Weight | 8.7 kg |



I_{max} at 25°C ambient and 125°C surface temp. for convection cooling



| Turns | Nominal Capacitance [pF] | Tolerance |
|-------|--------------------------|-----------|
| -4.5 | 35.0 | 10% |
| -3.0 | 43.1 | 10% |
| -1.5 | 56.8 | 10% |
| 0.0 | 78.5 | 0% |
| 10.0 | 284.7 | 10% |
| 20.0 | 494.8 | 10% |
| 30.0 | 704.9 | 10% |
| 40.0 | 915.0 | 10% |
| 44.1 | 1000.0 | 10% |

Mechanical stop at < 35 pF at ~ -6.1 turns
 Mechanical stop at > 1000 pF at ~ 44.6 turns

Self inductance and resonance frequency

