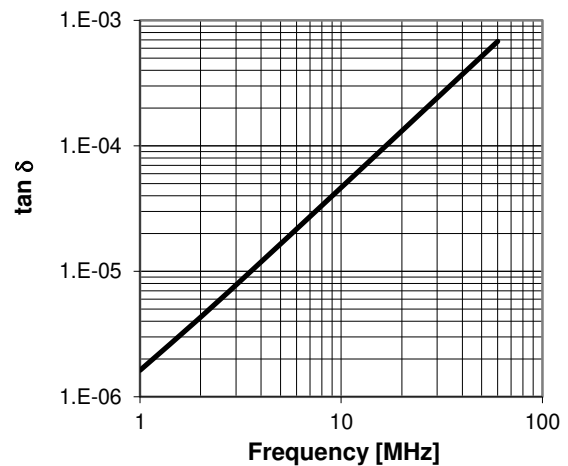
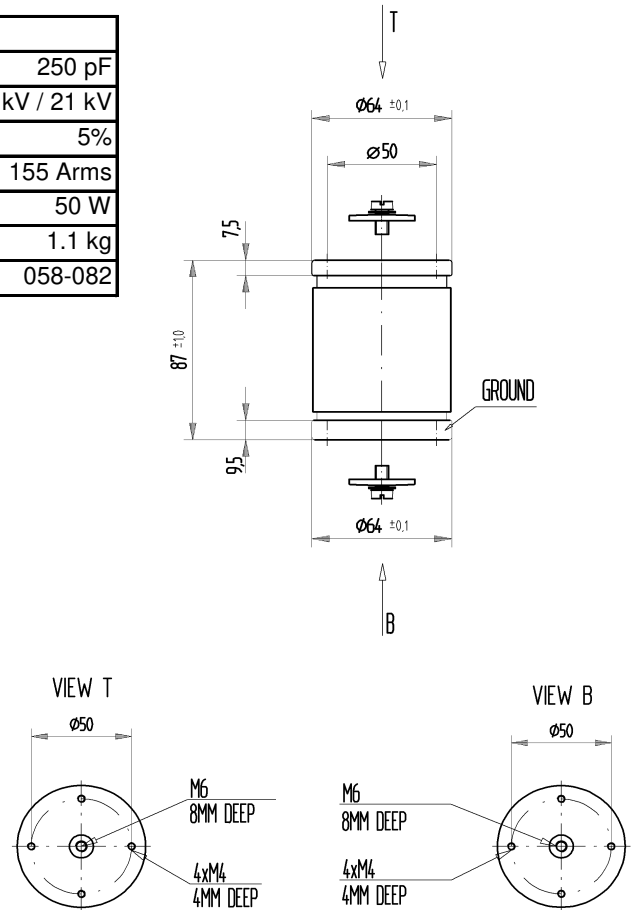
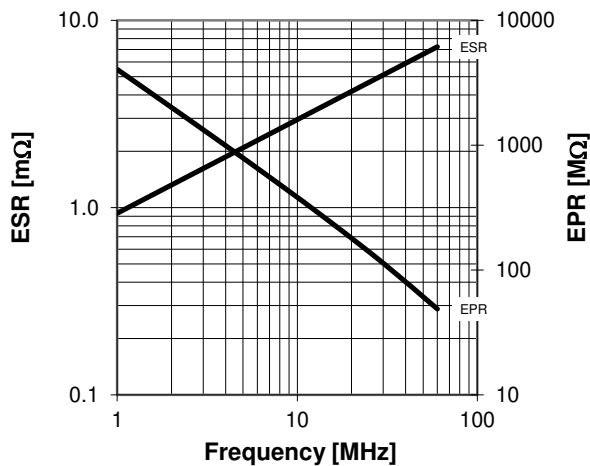
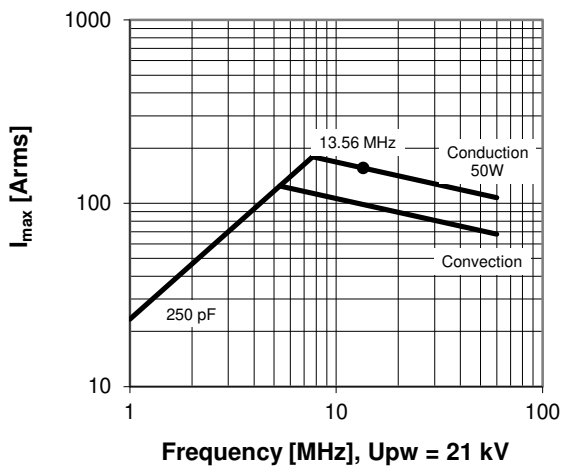


## CFMN-250EAC/35-DH-G

Old Type Designation: MC3C-250E

Specifications	
Capacitance $C_{max}$ (nominal)	250 pF
Voltage (Peak Test $U_{pt}$ / Peak Working $U_{pw}$ )	35 kV / 21 kV
Capacitance Tolerance	5%
Max. Current $I_{max}$ at 13.56 MHz with Conduction Cooling	155 Arms
Conduction Cooling	50 W
Net Weight	1.1 kg
Extension Rod (optional)	058-082

$I_{max}$  at 25°C ambient and 125°C surface temp. for convection and conduction (50 W) cooling



Special Features:
Capacity Tolerance 5%, RoHS Compliant

Subject to change without prior notice

Note: Technical information in Service Bulletin SB-52 must be considered