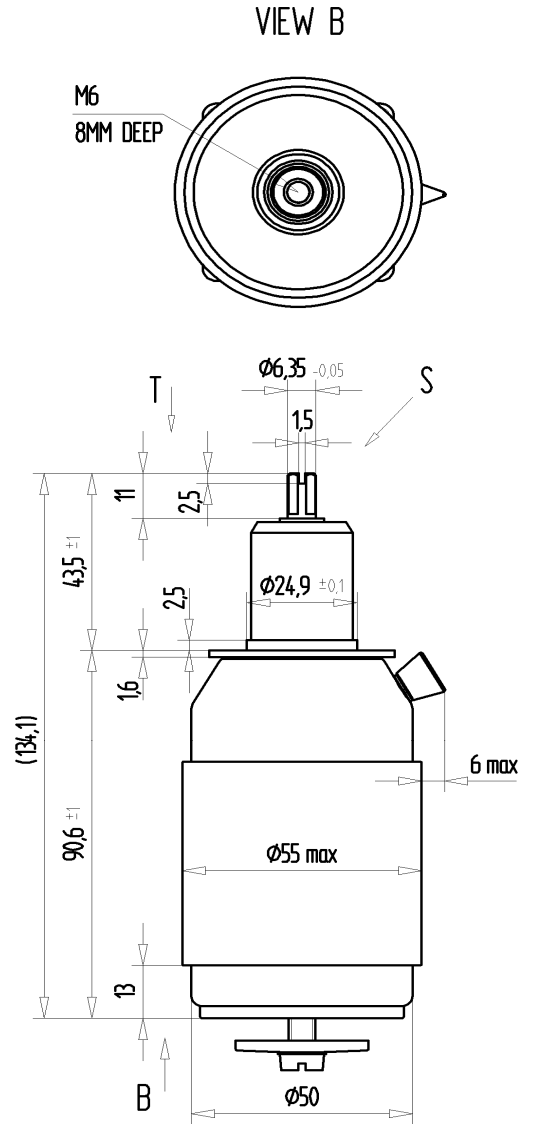
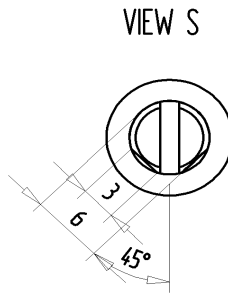
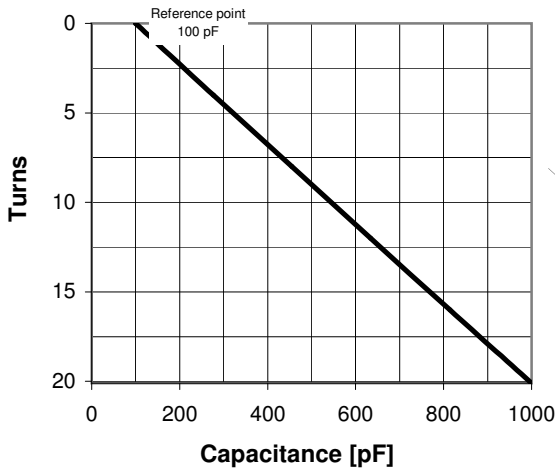
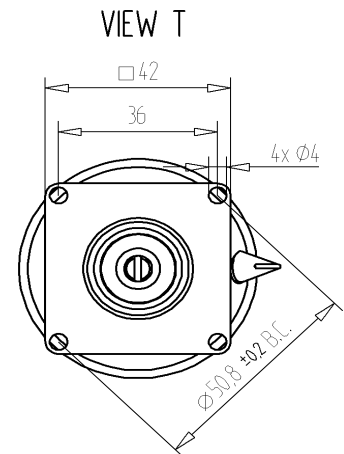
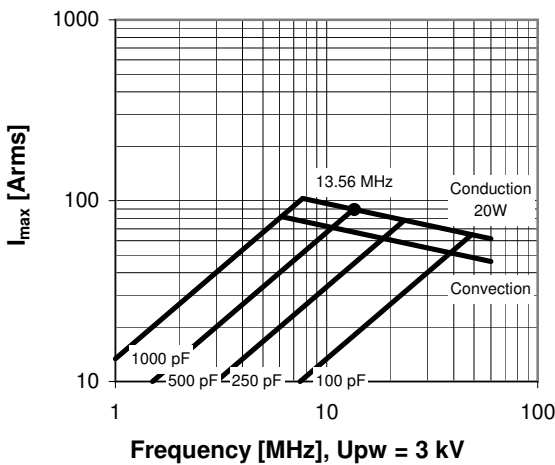


## CVUN-1000BC/5-BEAA-H

Specifications	
Capacity $C_{max}$ (nominal)	1000 pF
Capacity $C_{min}$ (nominal)	100 pF
Voltage (Peak Test $U_{pt}$ / Peak Working $U_{pw}$ )	5 kV / 3 kV
Capacity Tolerance (linear Range)	1.5%
Max. Current $I_{max}$ at 13.56 MHz with	89 Arms
Conduction Cooling	20 W
Self Inductance	$\leq 9$ nH
Capacitance per turn	44.8 pF/turn
Torque	$\leq 0.2$ Nm
Net Weight	0.58 kg



$I_{max}$  at 25°C ambient and 125°C surface temp. for convection and conduction (20 W) cooling



Subject to change without prior notice

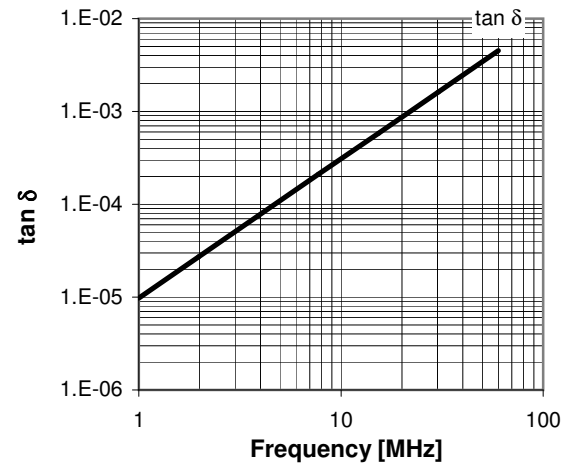
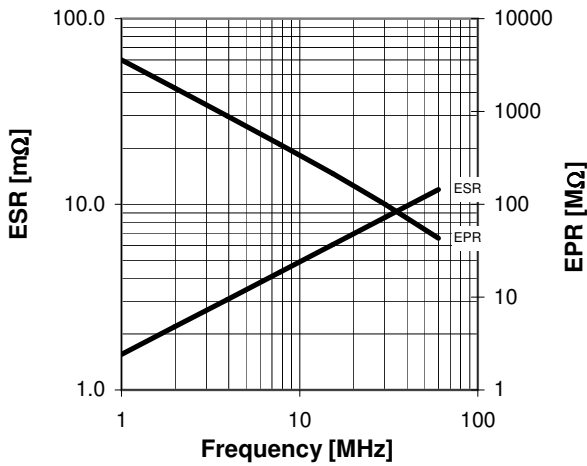
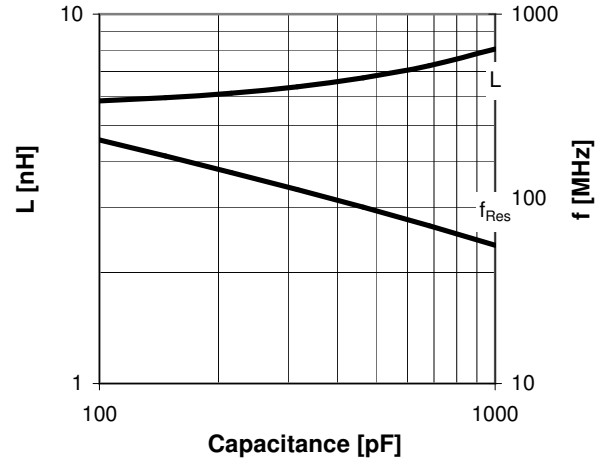
Note: Technical information in Service Bulletin  
SB-52 must be considered

## CVUN-1000BC/5-BEAA-H

Turns	Nominal Capacitance [pF]	Tolerance
0.0	100.0	0%
4.0	276.8	1.5%
8.0	454.9	1.5%
12.0	634.2	1.5%
16.0	814.6	1.5%
20.1	1000.0	1.5%

Mechanical stop at < 100 pF at ~ -0.6 turns  
Mechanical stop at > 1000 pF at ~ 20.5 turns

Self inductance and resonance frequency



**Special Features:**

Capacity Tolerance 1.5%

Subject to change without prior notice

Note: Technical information in Service Bulletin  
SB-52 must be considered