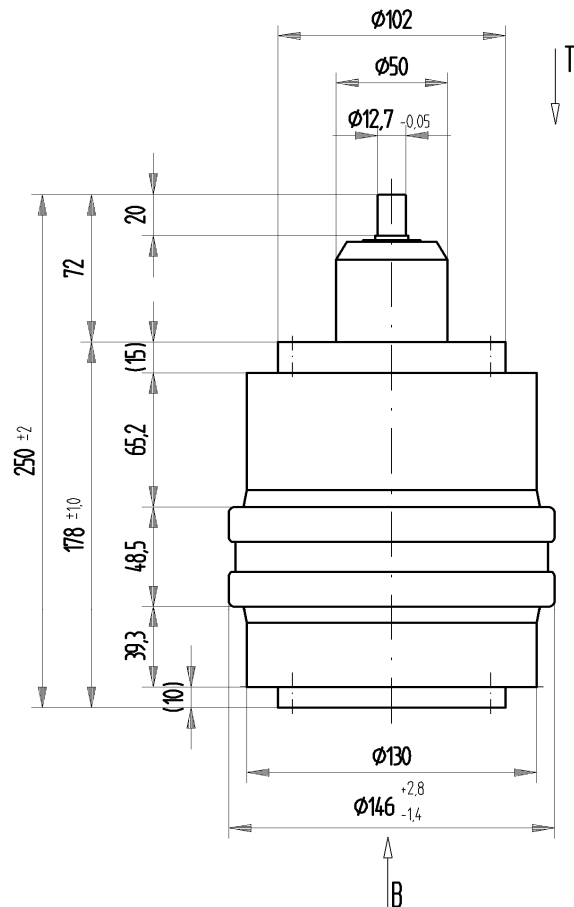
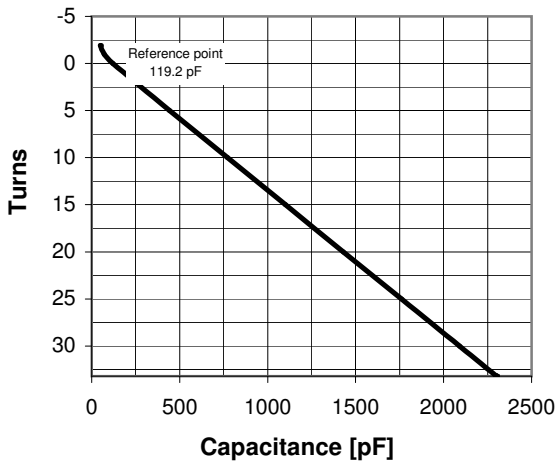
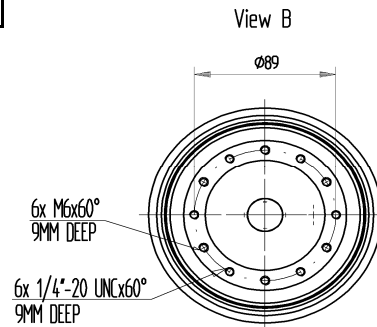
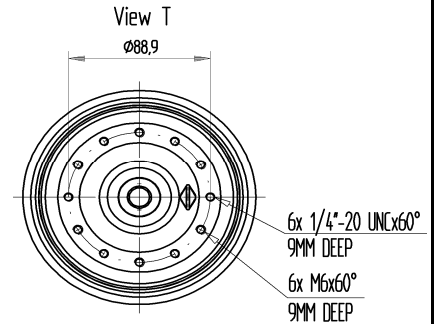


## CVSA-2300AC/15-AAB

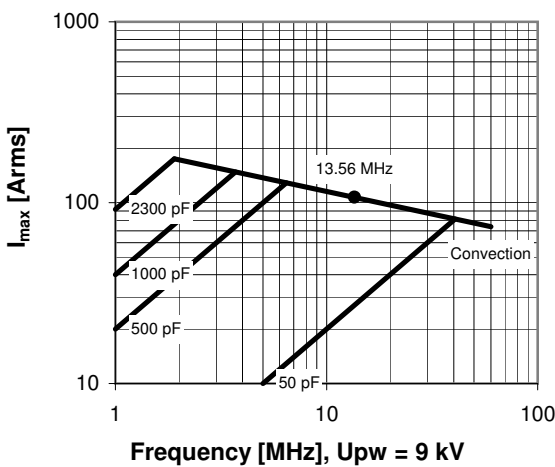
Old Type Designation: CV1C-2300EW

### Specifications

Capacity $C_{max}$ (nominal)	2300 pF
Capacity $C_{min}$ (nominal)	50 pF
Voltage (Peak Test $U_{pt}$ / Peak Working $U_{pw}$ )	15 kV / 9 kV
Capacity Tolerance (linear Range)	10%
Max. Current $I_{max}$ at 13.56 MHz	106 Arms
Self Inductance	$\leq 22$ nH
Capacitance per turn	65.7 pF/turn
Torque	$\leq 0.75$ Nm
Net Weight	5.5 kg



$I_{max}$  at 25°C ambient and 125°C surface temp. for convection cooling



Turns	Nominal Capacitance [pF]	Tolerance
-1.9	50.0	10%
-1.0	71.3	10%
0.0	119.2	0%
5.0	441.6	10%
10.0	771.3	10%
15.0	1101.1	10%
20.0	1430.9	10%
25.0	1760.6	10%
30.0	2090.4	10%
33.2	2300.0	10%

Mechanical stop at < 50 pF at ~ -8 turns  
Mechanical stop at > 2300 pF at ~ 33.3 turns

Self inductance and resonance frequency

