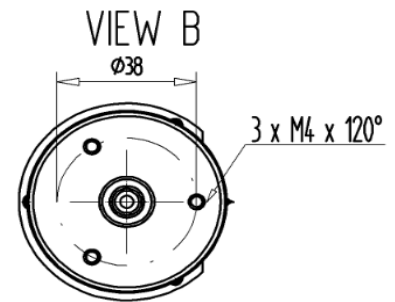
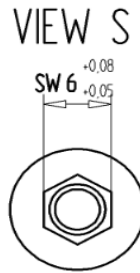
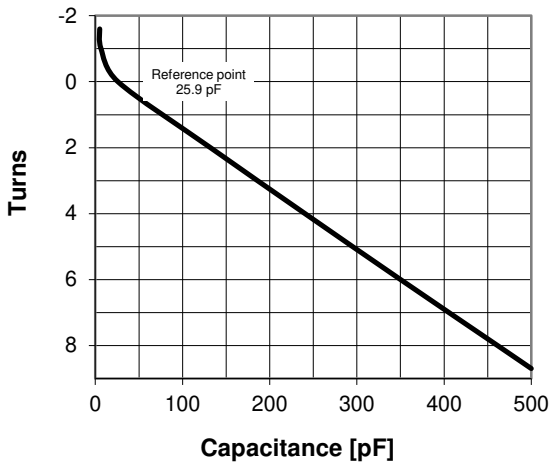
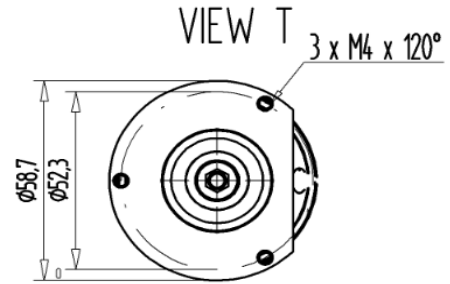
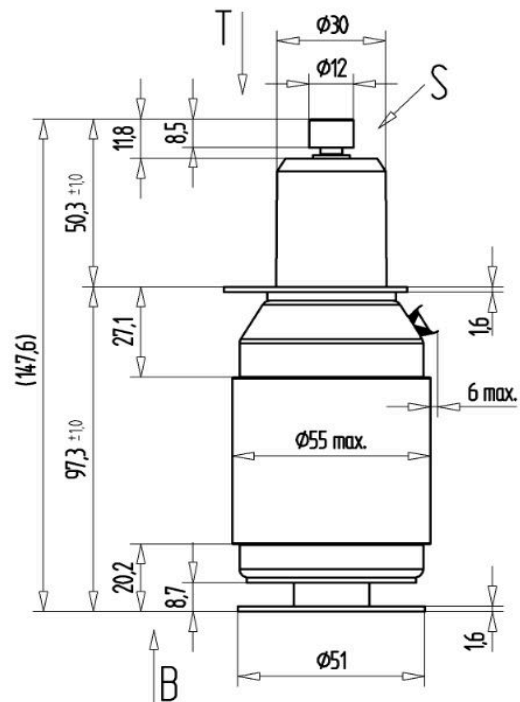
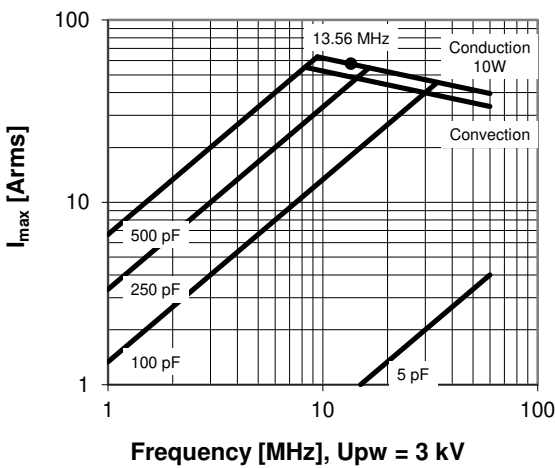


CVBA-500BC/5-JHJA

Specifications	
Capacitance C_{max} (nominal)	500 pF
Capacitance C_{min} (nominal)	5 pF
Voltage (Peak Test U_{pt} / Peak Working U_{pw})	5 kV / 3 kV
Capacitance Tolerance (linear Range)	10%
Max. Current I_{max} at 13.56 MHz with	57 Arms
Conduction Cooling	10 W
Self Inductance	≤ 9 nH
Capacitance per turn	54.5 pF/turn
Torque	≤ 0.15 Nm
Net Weight	0.6 kg



I_{max} at 25°C ambient and 125°C surface temp. for convection and conduction (10 W) cooling



Subject to change without prior notice

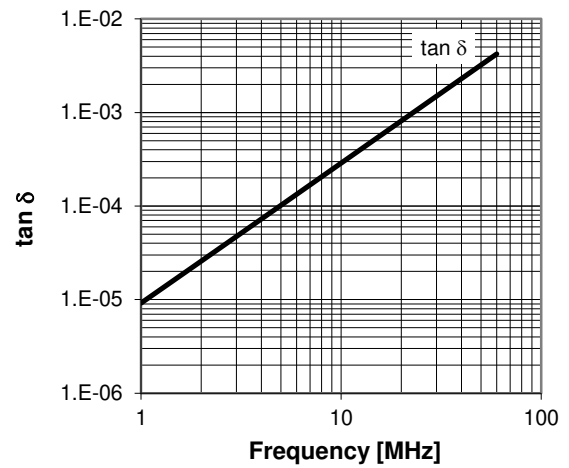
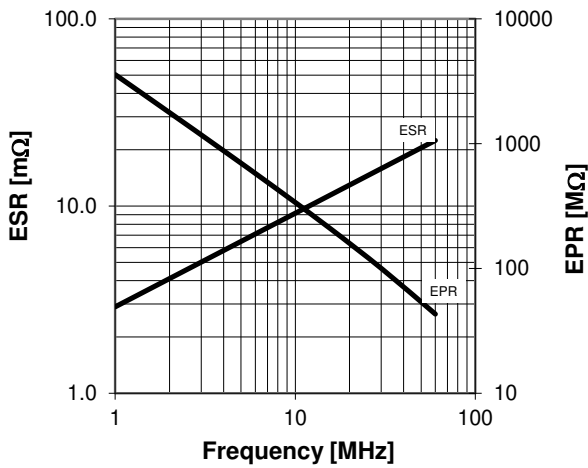
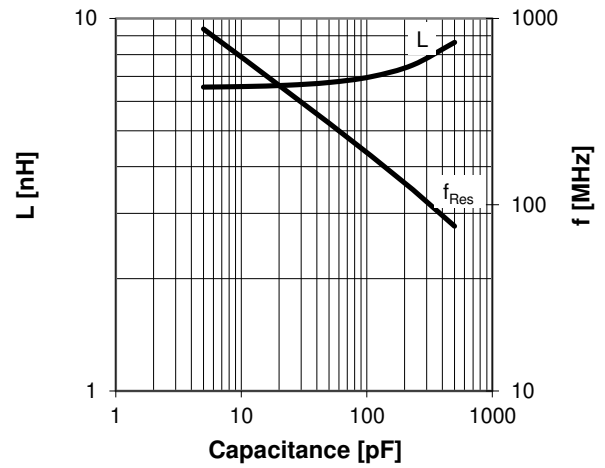
Note: Technical information in Service Bulletin SB-52 must be considered

Issue: 26-Aug-2013

Turns	Nominal Capacitance [pF]	Tolerance
-1.6	5.0	10%
-1.0	6.5	10%
0.0	25.9	0%
2.0	132.0	10%
4.0	240.4	10%
6.0	350.0	10%
8.0	461.2	10%
8.7	500.0	10%

Mechanical stop at < 5 pF at ~ -3 turns
 Mechanical stop at > 500 pF at ~ 8.9 turns

Self inductance and resonance frequency



Subject to change without prior notice

Note: Technical information in Service Bulletin
 SB-52 must be considered

Issue: 26-Aug-2013