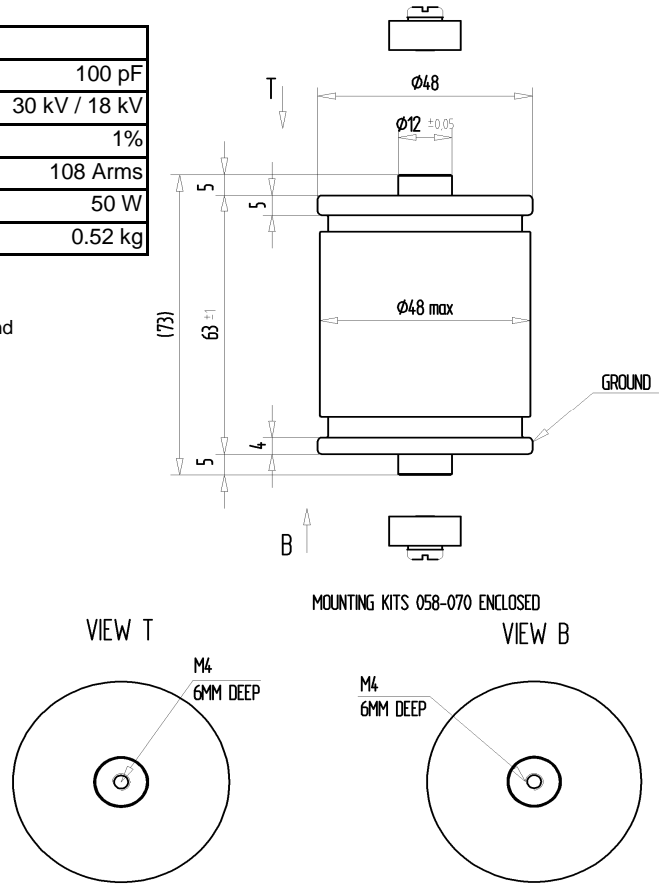
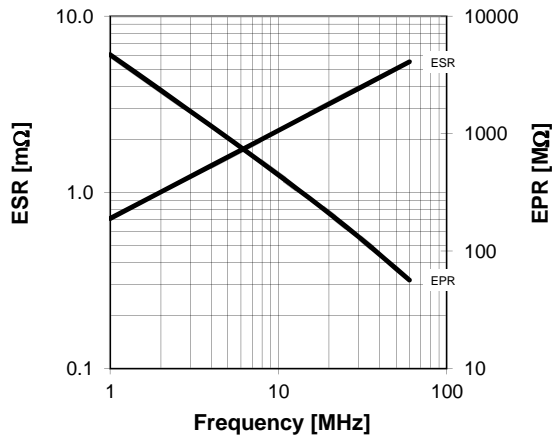
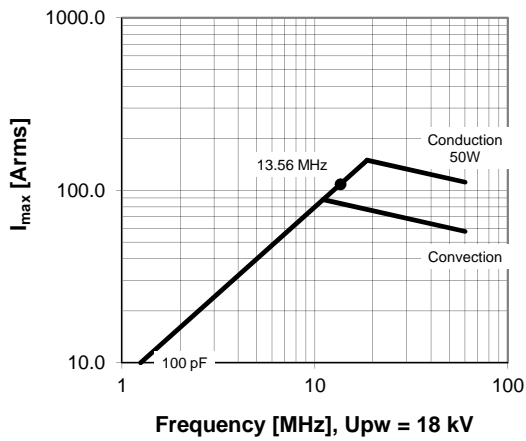


CFMN-100DAC/30-AF-E

Specifications	
Capacitance C_{max} (nominal)	100 pF
Voltage (Peak Test U_{pt} / Peak Working U_{pw})	30 kV / 18 kV
Capacitance Tolerance	1%
Max. Current I_{max} at 13.56 MHz with	108 Arms
Conduction Cooling	50 W
Net Weight	0.52 kg

I_{max} at 25°C ambient and 125°C surface temp. for convection and conduction (50 W) cooling



Special Features:

Capacity Tolerance 1%, RoHS Compliant

Subject to change without prior notice

Note: Technical information in Service Bulletin
SB-52 must be considered