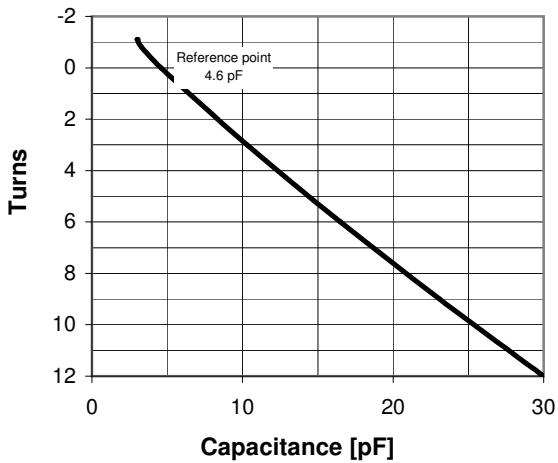
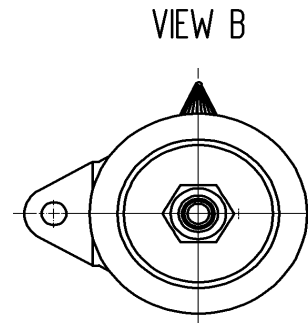


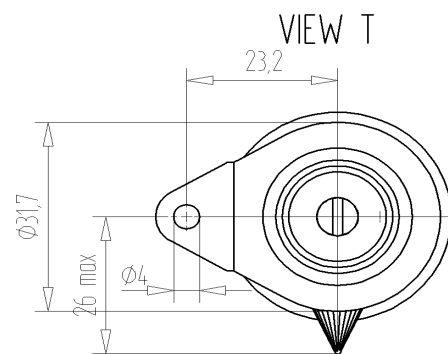
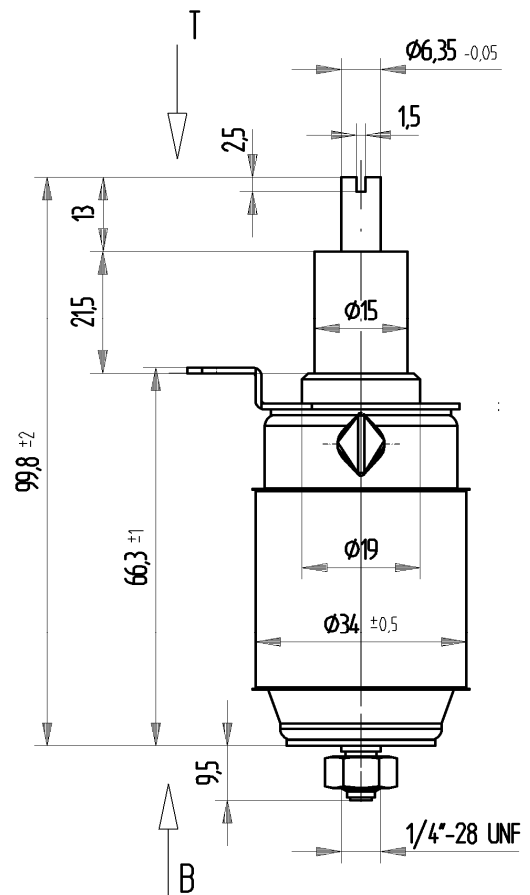
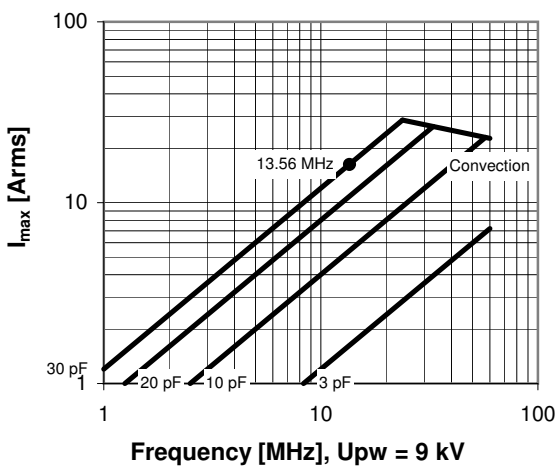
CVLI-30BC/15-BFSF

Old Type Designation: CV1C-30D

Specifications	
Capacity C_{max} (nominal)	30 pF
Capacity C_{min} (nominal)	3 pF
Voltage (Peak Test U_{pt} / Peak Working U_{pw})	15 kV / 9 kV
Capacity Tolerance (linear Range)	10%
Max. Current I_{max} at 13.56 MHz	16 Arms
Capacitance per turn	2.1 pF/turn
Torque	≤ 0.15 Nm
Net Weight	0.2 kg



I_{max} at 25°C ambient and 125°C surface temp. for convection cooling



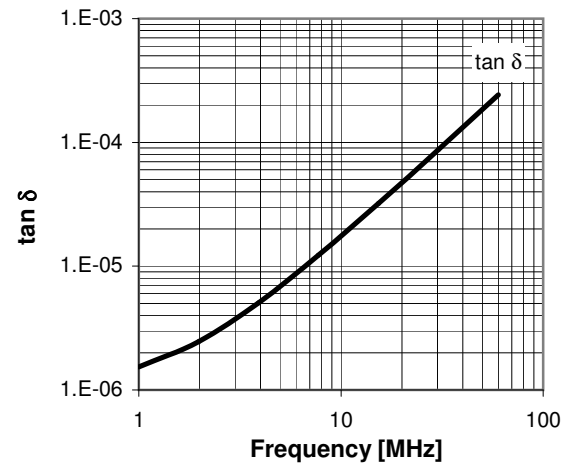
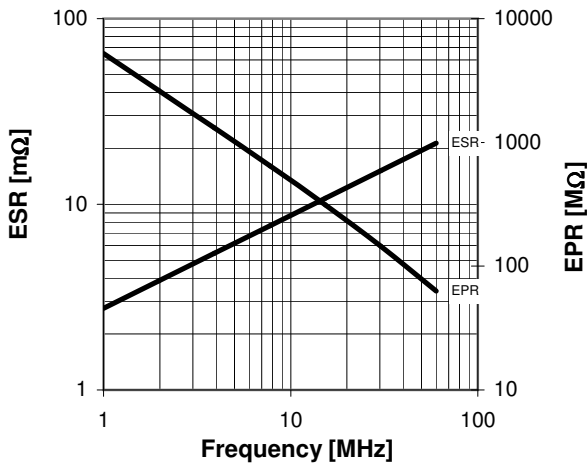
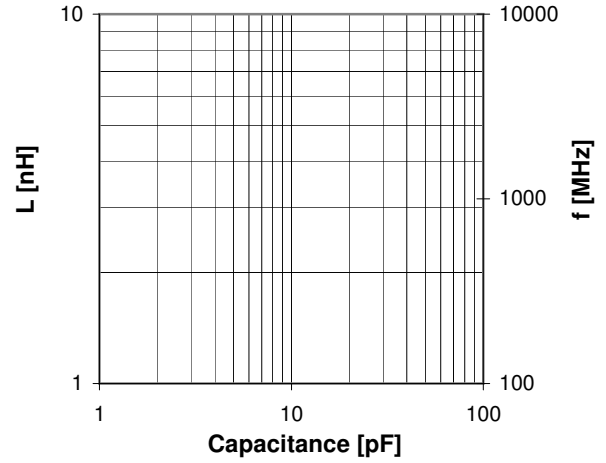
Subject to change without prior notice

Note: Technical information in Service Bulletin SB-52 must be considered

Turns	Nominal Capacitance [pF]	Tolerance
-1.1	3.0	10%
-0.8	3.3	10%
0.0	4.6	0%
3.0	10.3	10%
6.0	16.5	10%
9.0	23.1	10%
12.0	30.0	10%

Mechanical stop at < 3 pF at ~ -4.9 turns
Mechanical stop at > 30 pF at ~ 13 turns

Self inductance and resonance frequency



Subject to change without prior notice

Note: Technical information in Service Bulletin
SB-52 must be considered