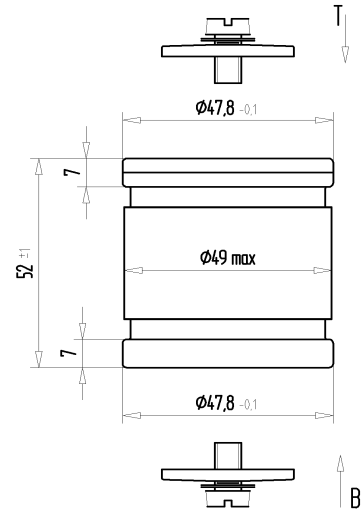


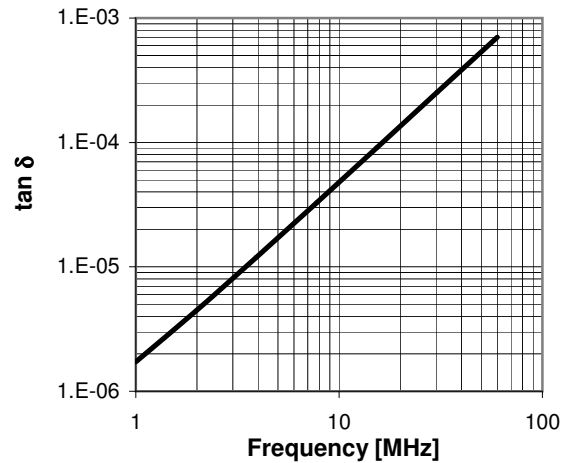
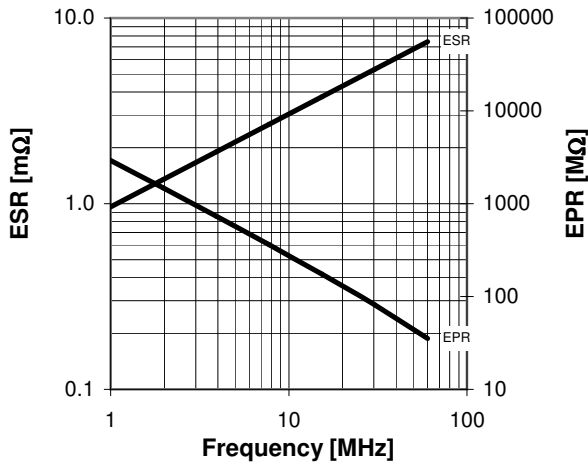
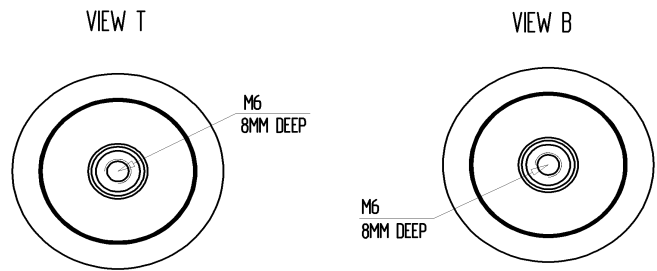
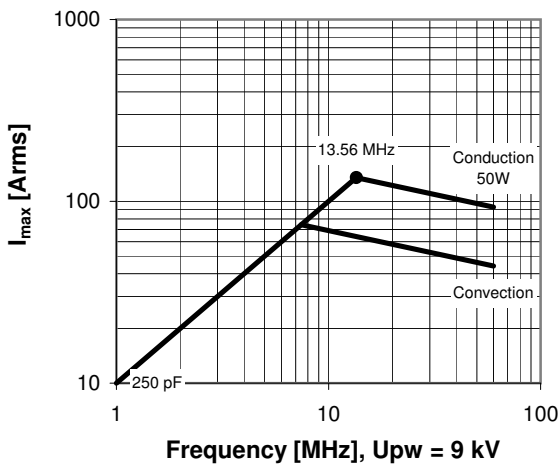
## CFMN-250AAC/15-DE-E

### Specifications

Capacity $C_{max}$ (nominal)	250 pF
Voltage (Peak Test $U_{pt}$ / Peak Working $U_{pw}$ )	15 kV / 9 kV
Capacity Tolerance	1%
Max. Current $I_{max}$ at 13.56 MHz with Conduction Cooling	134 Arms 50 W
Net Weight	0.4 kg



$I_{max}$  at 25°C ambient and 125°C surface temp. for convection and conduction (50 W) cooling



### Special Features:

Capacity Tolerance 1%