

INCH-POUND

MS91604B  
 12 August 2003  
 SUPERSEDING  
 MS91604A  
 2 December 1960

DETAIL SPECIFICATION SHEET

CONNECTOR, PLUG, ELECTRICAL, SERIES LC, UG-154A/U

This specification is approved for use by all Departments and Agencies of the Department of Defense.

The requirements for acquiring the product described herein shall consist of this specification and MIL-C-3650.

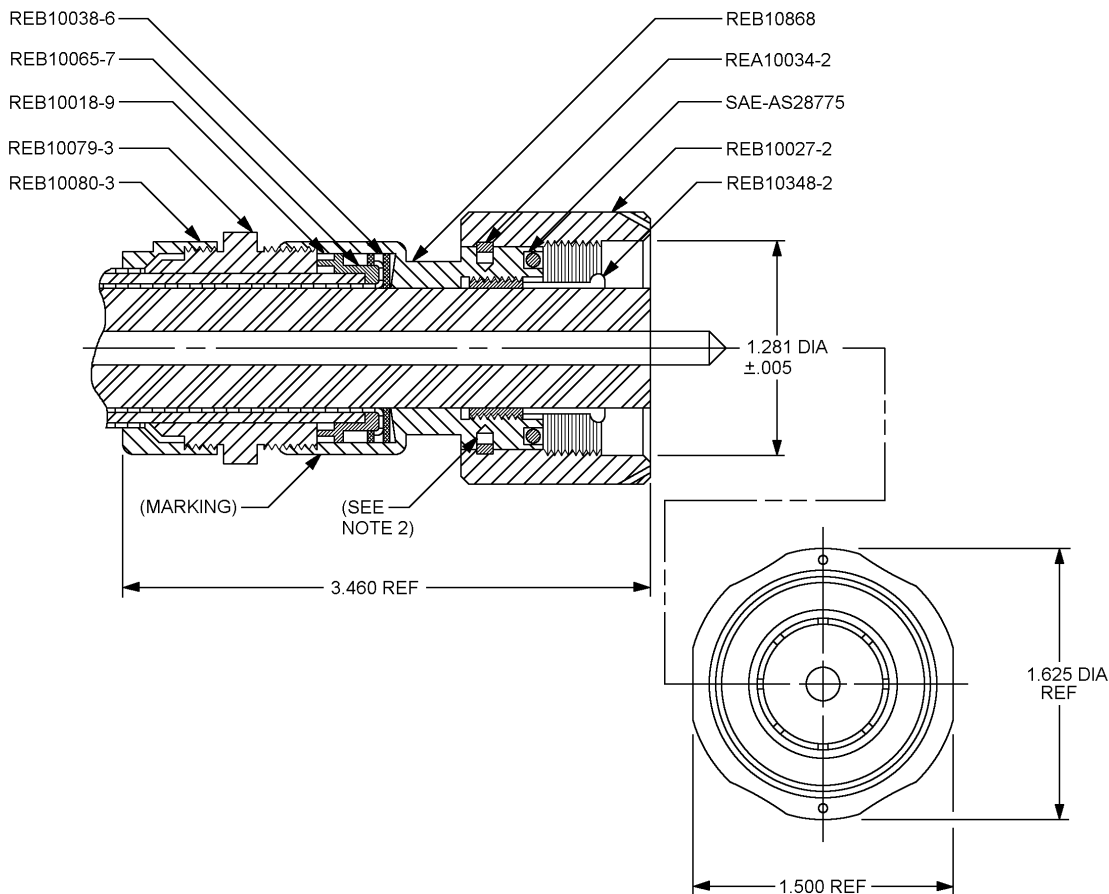


FIGURE 1. General configuration.

## MS91604B

Bureau of Ships drawing No. or SAE No.	Description	Quantity
REB10018-9	Gasket	1
REB10027-2	Coupling nut	
REA10034-2	Spring	
REB10038-6	Washer	
REB10065-7	Clamp	
REB10079-3	Nut	
REB10080-3	Cap	
REB10348-2	Contact	
REB10868	Body	
SAE-AS28775	O ring	

Inches	mm
0.005	0.127
1.281	32.53
1.5	38.1
1.625	41.27
3.460	87.88

## NOTES:

1. Dimensions are in inches.
2. Stake to threads in four equally spaced places.
3. Metric equivalents are given for general information only.

FIGURE 1. General configuration – Continued.

## ENGINEERING INFORMATION:

Impedance: 50 ohms.

Voltage rating: 5,000 volts, peak.

Frequency range: 1 GHz.

Engineering note: This is a weatherproof connector designed for use with RG-17/U and RG-18/U cable. For 10,000 volt operation, tool TL-326/U is required to counter bore cable.

## MS91604B

### REQUIREMENTS:

Design and configuration: See figure 1.

Part or Identifying Number (PIN): MS91604-154A.

Dielectric withstanding voltage: Not applicable.

### CONCLUDING MATERIAL

Custodians:  
Army - CR  
Navy - EC  
Air Force - 11  
DLA - CC

Preparing activity:  
DLA - CC  
  
(Project 5935-4439-007)