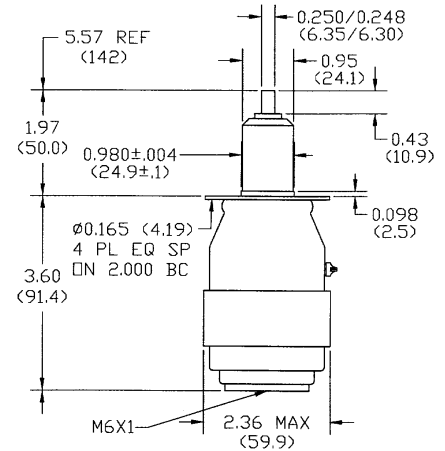


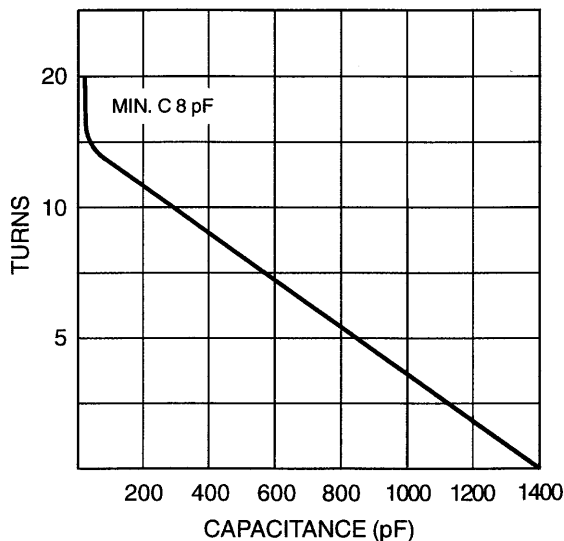


CSV4 1400 SPECIFICATIONS

Model Number	CSV4-1400-0003
Capacity Range (pF)	8-1400
Voltage (kV) Peak	
Test	3.0
Working	1.8
Current Amps (RMS) Max.	45
Type	Ceramic
Nominal Dimensions	
Length (in. / mm)	5.57 / 141.50
Diameter (in. / mm)	2.36 / 59.90
Torque (in Lbs.) Max.	1.5
Direct Pull (Lbs.) Max.	15
Weight (Nominal)	1 lb. 7 oz.
NOTES: <i>Mounting:</i> Fixed end has tapped holes. Variable end has soldered-on flanges.	



CAPACITY vs TURNS
Typical Data



CONTINUOUS RMS AMPERES vs FREQUENCY
(at 1.8kV PEAK WORKING VOLTAGE)

