

FEATURES

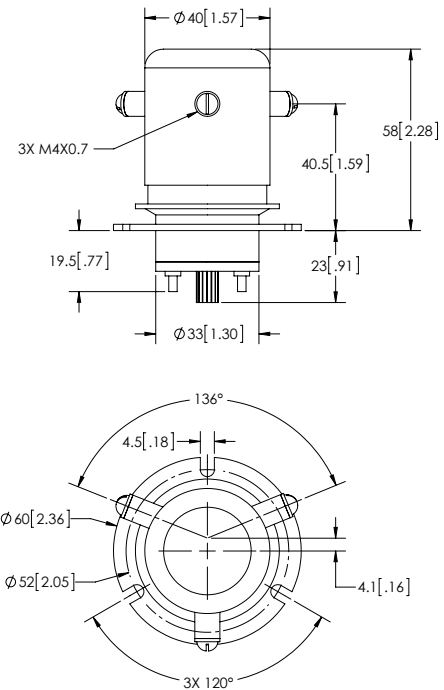
- > Durable tungsten contacts improve load switching capability**
- > Excellent choice for high power RF or DC applications
- > Mounting options in any axis
- > Convenient threaded HV connections



PRODUCT SPECIFICATIONS

| Contact & Relay Ratings | Units | G9 |
|---|---------|----------------------|
| Contact Form | | C |
| Contact Arrangement | | SPDT |
| Contact Material (moveable/stationary) | | molybdenum /tungsten |
| Dielectric | | Vacuum |
| Voltage, Test Max., Contacts & to Base (15 µA Leakage Max.) dc or 60Hz | kV Peak | 20 |
| Voltage, Operating Max., Contacts & to Base (15 µA Leakage Max.) | | |
| dc or 60 Hz | kV Peak | 15 |
| 2.5 MHz | kV Peak | 13 |
| 16 MHz | kV Peak | 10 |
| 32 MHz | kV Peak | 8 |
| Current, Load Switching | | Contact factory** |
| Current, Continuous Carry Max | | |
| dc or 60 Hz | Amps | 75 |
| 2.5 MHz | Amps | 35 |
| 16 MHz | Amps | 22 |
| 32 MHz | Amps | 17 |
| Coil Hi-Pot (V RMS, 60 Hz) | V | 500 |
| Capacitance | | |
| Across Open Contacts | pF | .05 |
| Contacts to Ground | pF | 3.5 |
| Resistance, Contact Max @ 1A, 28 Vdc | ohms | 0.010 |
| Operate Time | ms | 30 |
| Release Time | ms | 8 |
| Life, Mechanical | cycles | 1 million |
| Weight, Nominal | g (oz) | 300 (11) |
| Vibration, Operating, Sine (55-500 Hz Peak) | G's | 10 |
| Shock, Operating, 1/2 Sine 11ms (Peak) | G's | 50 |
| Temperature Ambient Operating | °C | -55 to +125 |

** Consult factory for load switching applications.



COIL RATINGS

| Nominal, Volts dc | 12 | 26.5 |
|-----------------------------|--------|--------|
| Pick-up, Volts dc, Max. | 8 | 16 |
| Drop-Out, Volts dc | .5 - 5 | 1 - 10 |
| Coil Resistance (Ohms ±10%) | 48 | 190 |

PART NUMBER SYSTEM

| G9 | S | F | |
|--|-----------|------------|------------------------------------|
| High Voltage/Power Terminal Connections | W = Screw | | |
| Mounting | | F = Flange | |
| Coil Voltage* | | | Blank = 26.5 Vdc -12Vdc = 12Vdc |

* Order the relay with the coil voltage in the part number as shown above. The coil voltage will appear on the coil plate near the coil terminals rather than in the P/N on the relay.