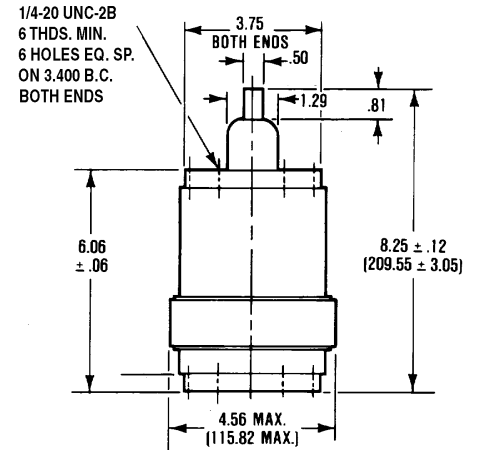


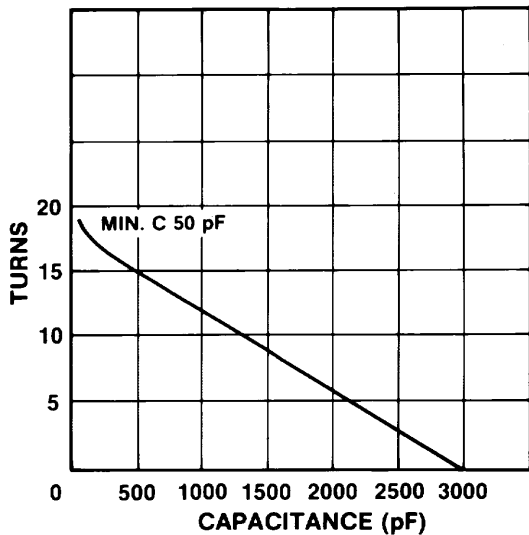


**CVCD 3000 SPECIFICATIONS**

Model Number	CVCD-3000-3S	CVCD-3000-5S
Capacity Range (pF)	50-3000	50-3000
Voltage (kV) Peak		
Test	3.0	5.0
Working	1.8	3.0
Current Amps (RMS) Max.	90	100
Type	Ceramic	Ceramic
Nominal Dimensions		
Length (in. / mm)	8.25 / 209.55	8.25 / 209.55
Diameter (in. / mm)	4.56 / 115.82	4.56 / 115.82
Torque (in Lbs.) Max.	1.7	1.7
Direct Pull (Lbs.) Max.	45	45
Weight (Nominal)	5 lb. 12 oz.	5 lb. 12 oz.
<p>NOTES:  <i>Mounting:</i> Both ends have tapped holes.</p>		



**CAPACITY vs TURNS**  
Typical Data



**CONTINUOUS RMS AMPERES vs FREQUENCY**  
(at 3.3kV PEAK WORKING VOLTAGE)

