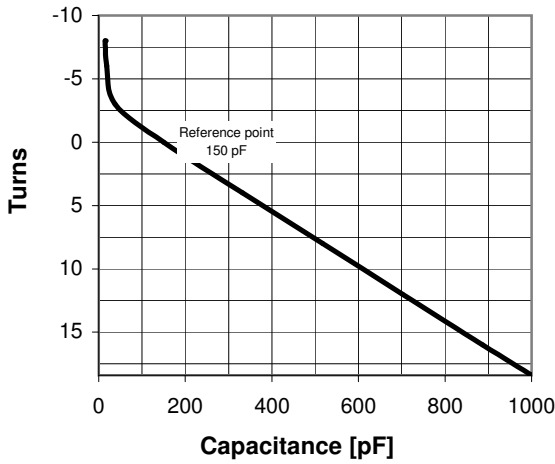


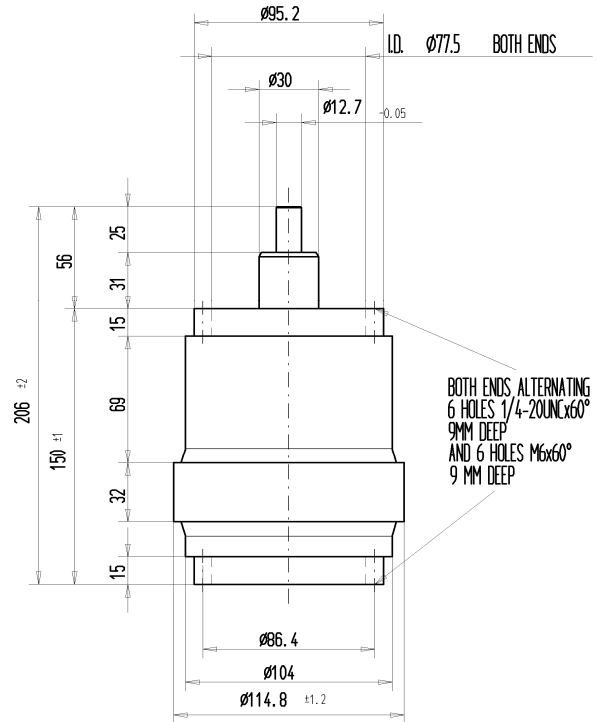
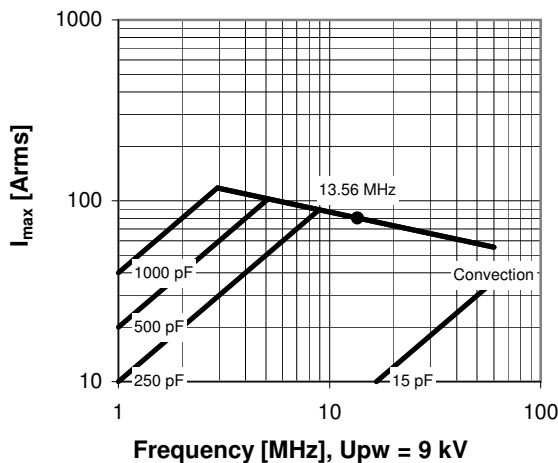
CVNA-1000DC/15-AAA-F

Old Type Designation: CV1C-1000EW

Specifications	
Capacity C_{max} (nominal)	1000 pF
Capacity C_{min} (nominal)	15 pF
Voltage (Peak Test U_{pt} / Peak Working U_{pw})	15 kV / 9 kV
Capacity Tolerance (linear Range)	3%
Max. Current I_{max} at 13.56 MHz	80 Arms
Self Inductance	≤ 18 nH
Capacitance per turn	46.2 pF/turn
Torque	≤ 0.3 Nm
Net Weight	3 kg



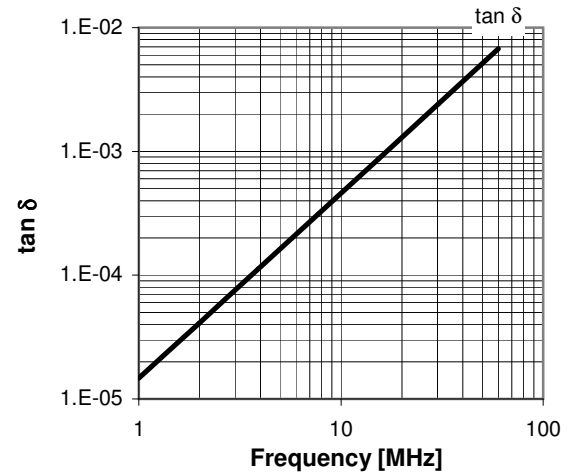
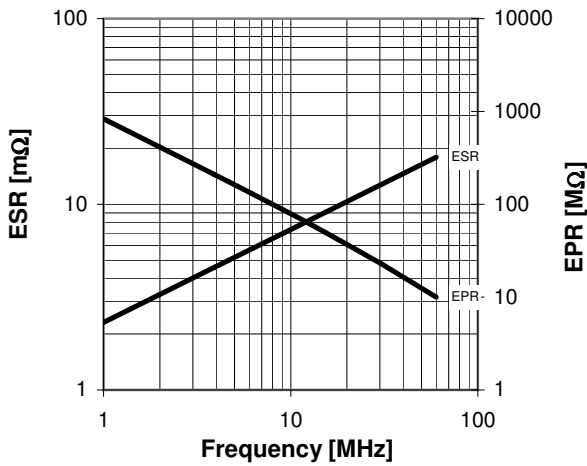
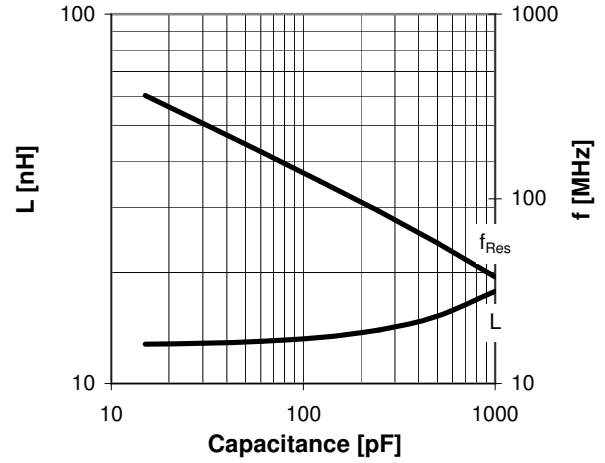
I_{max} at 25 °C ambient and 125 °C surface temp. for convection cooling



Turns	Nominal Capacitance [pF]	Tolerance
-8.0	15.0	5%
-6.0	18.6	5%
-3.0	37.6	5%
0.0	150.0	0%
4.0	331.9	3%
8.0	516.9	3%
12.0	701.9	3%
16.0	886.9	3%
18.4	1000.0	3%

Mechanical stop at < 15 pF at ~ -12.5 turns
 Mechanical stop at > 1000 pF at ~ 18.7 turns

Self inductance and resonance frequency



Special Features:

Capacity Tolerance 3%

Type Ordering Information:

Type Ordering Information:	Upt
CVNA-1000DC/15-AAA-F	15 kV
CVNA-1000DC/10-AAA-F	10 kV
CVNA-1000DC/7.5-AAA-F	7.5 kV