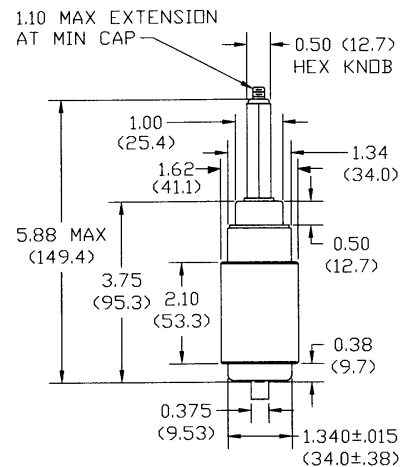


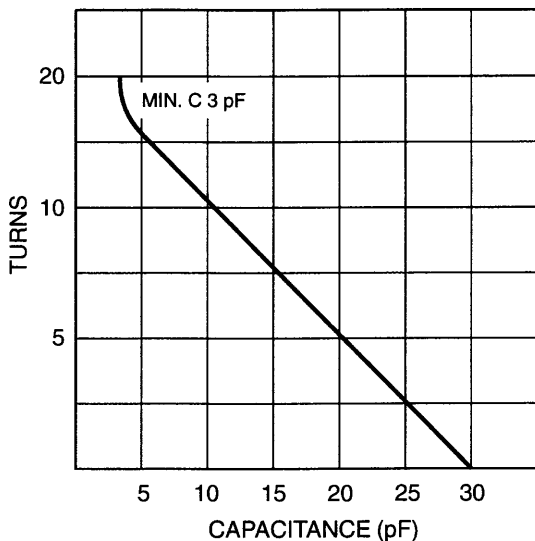


**CAEC 30 SPECIFICATIONS**

|  |               |               |               |
|--|---------------|---------------|---------------|
| Model Number   | CAEC-30-25S   | CAEC-30-30S   | CAEC-30-35S   |
| Capacity Range (pF)  | 3-30          | 3-30          | 3-30          |
| Voltage (kV) Peak  |               |               |               |
| Test   | 25            | 30            | 35            |
| Working  | 15            | 18            | 21            |
| Current Amps (RMS) Max.  | 37            | 37            | 37            |
| Type   | Ceramic       | Ceramic       | Ceramic       |
| Nominal Dimensions   |               |               |               |
| Length (in. / mm)  | 5.88 / 149.40 | 5.88 / 149.40 | 5.88 / 149.40 |
| Diameter (in. / mm)  | 1.34 / 34.04  | 1.34 / 34.04  | 1.34 / 34.04  |
| Torque (in Lbs.) Max.  | 1.5†          | 1.5†          | 1.5†          |
| Direct Pull (Lbs.) Max.  | 20            | 20            | 20            |
| Weight (Nominal)   | 6 oz.         | 6 oz.         | 6 oz.         |
| <b>NOTES:</b><br><i>Mounting:</i> Use Jennings No. 112304 fuse clip.<br>† Adjustable |               |               |               |



**CAPACITY vs TURNS**  
Typical Data



**CONTINUOUS RMS AMPERES vs FREQUENCY**  
(at 21kV PEAK WORKING VOLTAGE)

