

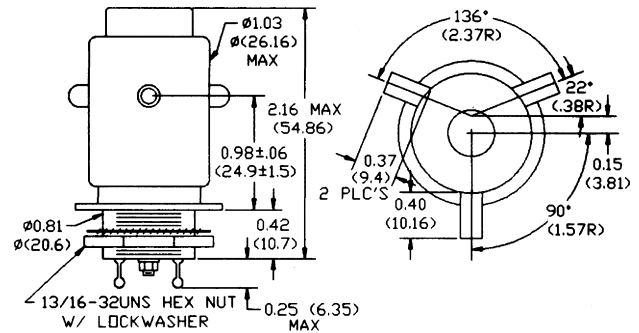


SPECIFICATIONS

Model Number	RJ2B RJ2C RJ6B*	RJ4B
Test Voltage (kV Peak) 60 Hz	15	15
Rated Operating Voltage (kV Peak)		
DC or 60 Hz	12	12
2.5 MHz	10	10
16 MHz	8	8
32 MHz	6	6
Continuous Current, Carry (Amps, RMS)		
DC or 60 Hz	50	50
2.5 MHz	30	30
16 MHz	17	17
32 MHz	10	10
Contact Capacitance (pF)		
Between Open Contacts	.5	.5
Open Contacts to Ground	1.0	1.0
Contact Resistance (mΩ)	12	12
Operate Time (ms. Max.)	18	18
Release Time (ms. Max.)	9	9
Pull-in Voltage @ 25° C		
26.5 VDC Coil	16	16
Dropout Voltage @ -55 to 125° C		
26.5 VDC Coil	1-10	1-10
Coil Resistance (Ohms ± 10%)		
26.5 VDC Coil	270	270
Shock, 1/2 Sine 11 ms. (Peak g's)	50	50
Vibration, Peak g's 55-500 Hz	10	10
Expected Mechanical Life Cycles (X10 ⁶)	.5, 25*	1
Weight, Ounces (Grams) Max.	3 (85)	3 (85)
OPTIONAL COILS		
	12 Vdc	115 Vdc
Model Number	Coil Resistance (Ohms ± 10%)	
RJ2B	72.5	3700
RJ2C	72.5	3700



- **RJ2B-26S**
Ceramic replacement for RB1D series. Ceramic envelope allows higher current ratings. Solder terminals accept 8 ga. wire.
- **RJ2C-26S**
Flange mount version of RJ2B.
- **RJ6B-26S**
Long-life version of RJ2B, 25 X 10⁶.



- **RJ4B-26S**
Ceramic replacement for RB1D series. Ceramic envelope allows higher current ratings. Thread mount, solder terminals except 8 ga. wire.

