

### SPDT AND 2PDT RELAYS

The type RBID relay is available in a variety of mounting arrangements, i.e., threaded mounting sleeves, cup mounting flanges, long or short housings, or flanges without holes. A special type of RB1 relay also available is the type RBIR engineered for high speed and long life. Rated life is 10,000,000 operations, operate time is 3 milliseconds max., release time is 5 milliseconds max. Switching speed of over 100 cps is achieved through the use of a pulse power supply which may be obtained from Jennings or we will supply the drawings if you wish to build your own.

Units can also be selected for operation in more difficult vibration and temperature requirements than those specified. Please specify whether 26.5 or 115 vdc coil when ordering.

#### Jennings Type Contact Arrangement Rated Operating Voltage -

DC or 60 cycle  
2.5 mc  
16 mc  
Test Voltage - 60 cycle  
Continuous Current - rms  
60 cycle  
2.5 mc  
16 mc  
Interrupting rating for dc resistive loads  
Contact Resistance  
Contact Capacitance  
Capacitance to Ground  
Operate Times  
Release Times  
DC Actuating Coil - Voltage  
- Resistance ( $\pm 10\%$ )  
Ambient Temperature Range  
Pull-in Voltage  
at 25°C  
Pull-in Voltage  
at 125°C  
Drop-out Voltage  
over ambient range  
Shock  
Vibration - nominal

#### RBID SPDT

12 kv peak  
10 kv peak  
8 kv peak  
18 kv peak

15 amps  
10 amps  
6 amps

18 kw (not to exceed  
3 amps or 6 kv)

.012 ohms max.  
0.5 mmfd  
1.5 mmfd  
18 ms max.  
8 ms max.  
24-28 vdc  
265 ohms

-55° to 125°C

16 vdc max.  
75 vdc max.  
19 vdc max.  
86 vdc max.  
1-10 vdc  
2-40 vdc  
30G - 11 ms  
5G 55-2000 cps  
10G 55-500 cps  
3 oz.

#### RB2A 2PDT

20 kv peak  
15 kv peak  
10 kv peak  
25 kv peak

20 amps  
12 amps  
6 amps

20 kw (not to exceed  
4 amps or 8 kv)

.01 ohms max.  
1 mmfd  
2.5 mmfd  
20 ms max.  
10 ms max.  
24-28 vdc  
225 ohms

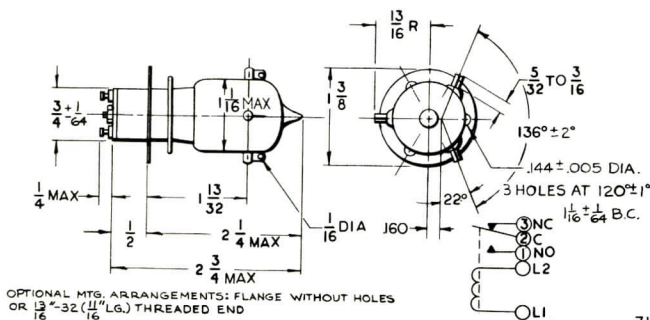
-55° to 125°C

16 vdc max.  
75 vdc max.  
19 vdc max.  
86 vdc max.  
1-10 vdc  
2-40 vdc  
30G - 11 ms  
5G 55-2000 cps  
10G 55-500 cps  
7 oz.

#### Net Weight

Meets corrosion and moisture resistance requirements of MIL-R-5757C.

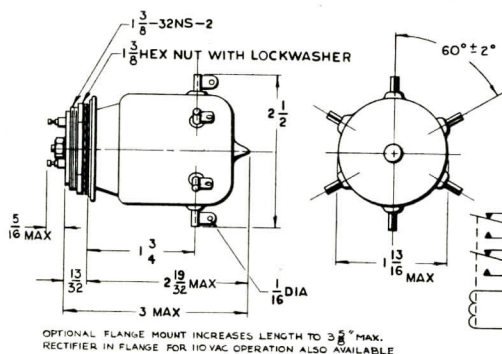
NOTE: The current and voltage ratings of most of these relays may be increased 30% by the use of special brass terminals.



717



SPDT RBID



793



2PDT RB2A

Tolerances unless otherwise specified: Fractional  $\pm 1/32$  decimal  $\pm .005$  angular  $\pm 1^\circ$